

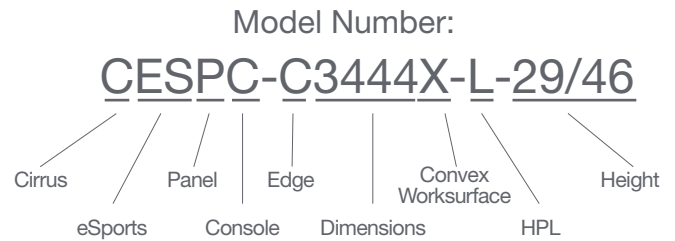
“How do I add finishes to...”

Cirrus eSports Console

Select your desired Cirrus eSports Console unit from the mediatechnologies Cirrus Curve price sheet by model number.

Follow the Step-by-Step method to tell us how you want your Cirrus eSports Console unit finished. Make sure you indicate your finish choice for each step below in your purchase order. We will list your choices as notes below each individual model number in your order acknowledgment.

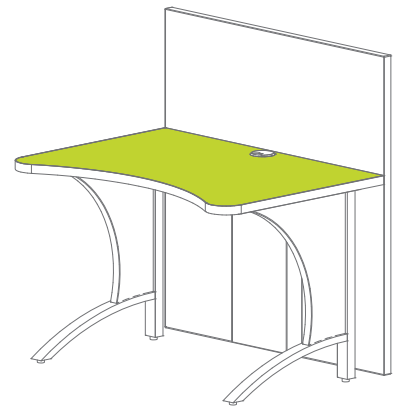
To the right is a simple explanation of a mediatechnologies Cirrus eSports Console model number.



Step 1: Select HPL for work surface.

Choose from our selection of finishes.
See our selection of finish choices at
<https://www.mediatechnologies.com/resources/finishes>

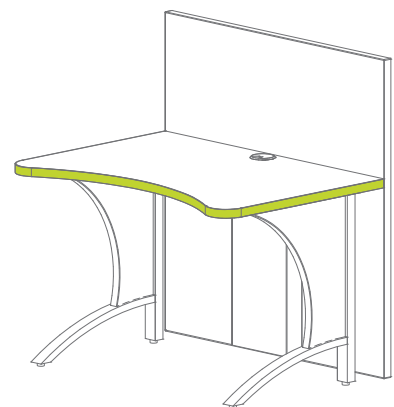
Enter your selection on “Work Surface HPL” line on the last page of this designator.



Step 2: Select PVC for work surface.

Choose from our selection of finishes.
See our selection of finish choices at
<https://www.mediatechnologies.com/resources/finishes>

Enter your selection on “Work Surface PVC” line on the last page of this designator.



“How do I add finishes to...”

Cirrus eSports Console

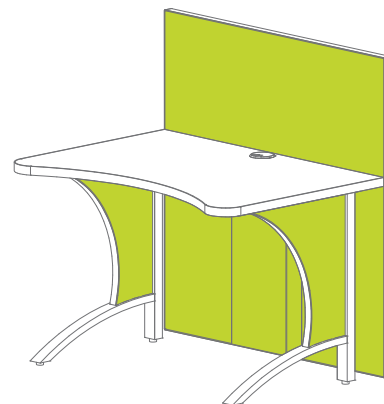
Step 3: Select high pressure laminate for end/intermediate panels or cabinet.

Choose from our selection of finishes.

See our selection of finish choices at

<https://www.mediatechnologies.com/resources/finishes>

Enter your selection on “Panel/cabinet HPL” line on the last page of this designator.



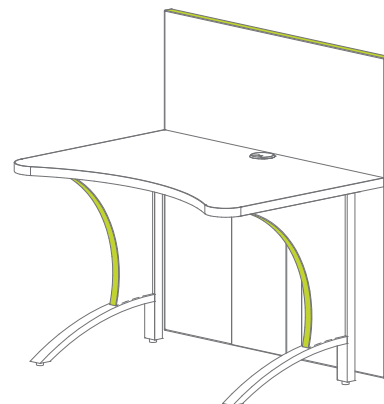
Step 4: Select PVC for panel edges.

Choose from our selection of finishes

See our selection of finish choices at

<https://www.mediatechnologies.com/resources/finishes>

Enter your selection on “Panel PVC” line on the last page of this designator.



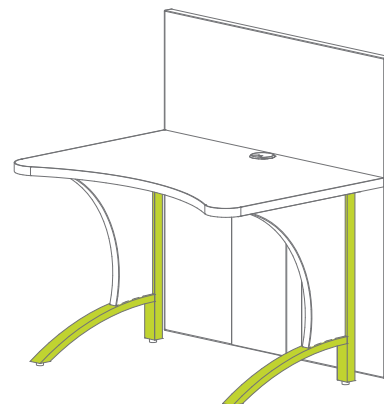
Step 5: Select powder coat for steel legs.

Choose from our selection of finishes.

See our selection of finish choices at

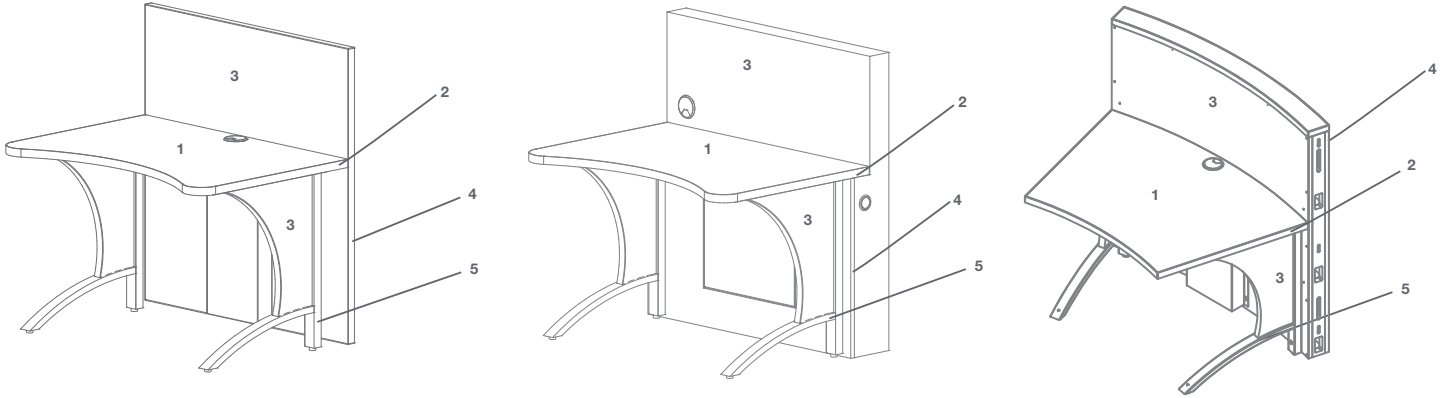
<https://www.mediatechnologies.com/resources/finishes>

Enter your selection on “Steel Leg Powder Coat” line on the last page of this designator.



“How do I add finishes to...”

Cirrus eSports Console



Job:

Model Number:

Finish Schedule:

1 Work Surface HPL:

2 Work Surface PVC:

3 Panel/Cabinet HPL:

4 Panel PVC:

5 Steel Leg Powder Coat: