

# “How do I add finishes to...”

## Bookmark Circulation Desk Shelving

**Select** your desired Bookmark Circulation Desk from the mediatechnologies Bookmark Circulation Desk Price List Sheet by model number.

**Follow** the Step-by-Step method to tell us how you want your Bookmark Circulation Desk finished. Make sure you indicate your finish choice for each step below in your purchase order. We will list your choices as notes below each individual model number in your order acknowledgment.

To the right is a simple explanation of two mediatechnologies Bookmark Circulation Desk model numbers.

### Finish Key

**L** = High Pressure Laminate

**M** = Maple Veneer

**No designator** = Oak Veneer

Model Numbers:

**MCD-72D-29L**

Bookmark  
Circulation  
Desk

Width

Desk  
Unit

HPL

Work Surface  
Height

**MCD-72D-29M**

Bookmark  
Circulation  
Desk

Width

Desk  
Unit

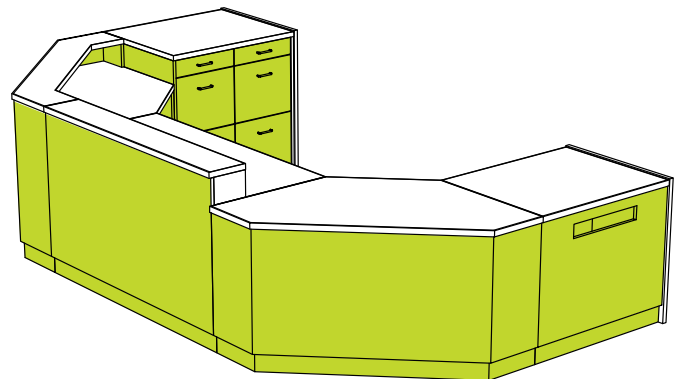
Maple

Work Surface  
Height

*Note: Different modular sections of the desk will have their own model numbers. The above model numbers are for 72"W desk units in HPL & Maple. If no finish is designated at the end of the model number, the default is Oak Veneer.*

**Step 1:** Select veneer or HPL finish for exterior case of your Bookmark Circulation desk. Choose from our selection of finishes. See our selection of finish choices at <https://www.mediatechnologies.com/resources/finishes>

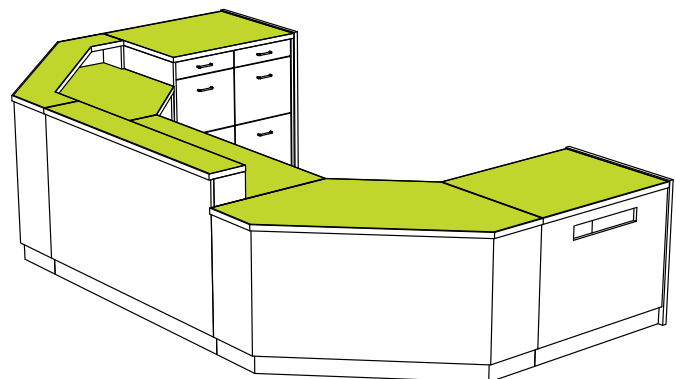
Enter your selection on the “Exterior Case” line on the last page of this designator.



**Step 2:** Select HPL for work surfaces.

Choose from our selection of finishes. See our selection of finish choices at <https://www.mediatechnologies.com/resources/finishes>

Enter your selection on the “Work Surface HPL” line on the last page of this designator.

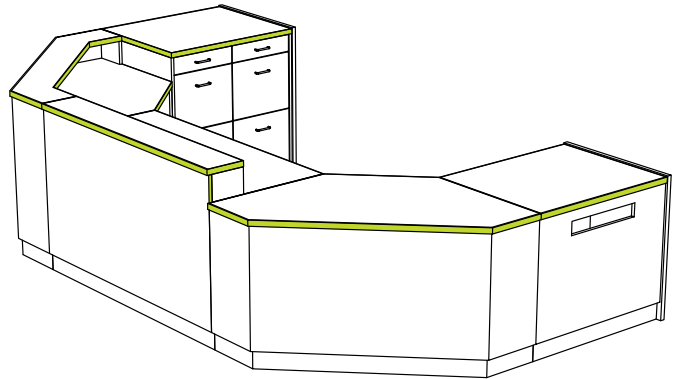


# “How do I add finishes to...”

## Bookmark Circulation Desk Shelving

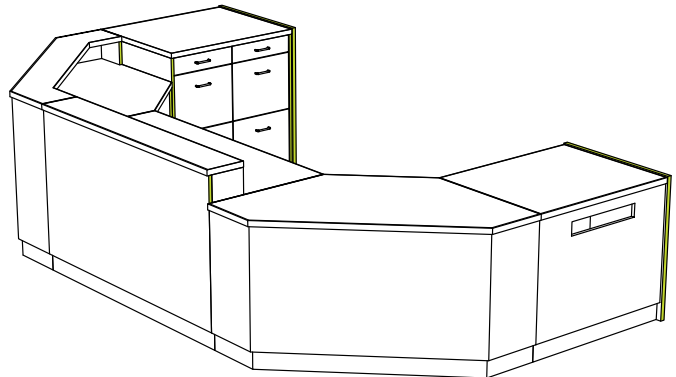
**Step 3:** Select PVC for work surfaces for desks with HPL cases. If veneer was selected in step one, unit will receive matching wood edges and this step does not apply. Choose from our selection of finishes. See our selection of finish choices at <https://www.mediatechnologies.com/resources/finishes>

Enter your selection on the “Work Surface PVC” line on the last page of this designator.



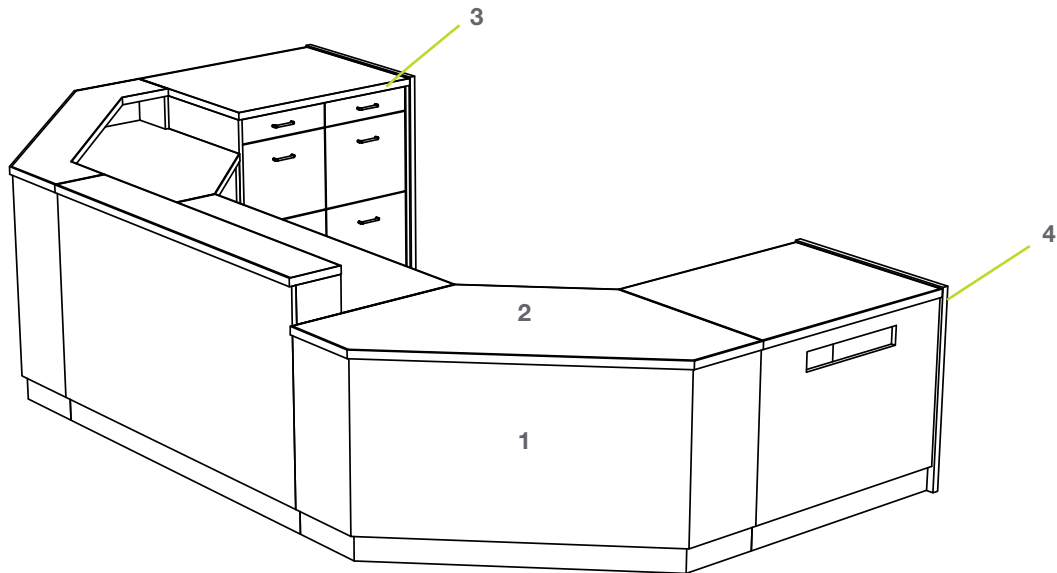
**Step 4:** Select PVC for case edges for desks with HPL cases. If veneer was selected in step one, unit will receive matching wood edges and this step does not apply. Choose from our selection of finishes. See our selection of finish choices at <https://www.mediatechnologies.com/resources/finishes>

Enter your selection on “Case PVC” line on the last page of this designator.



# “How do I add finishes to...”

## Bookmark Circulation Desk Shelving



**Job:**

**Model Number:**

**Finish Schedule:**

### 1 Exterior Case:

---

### 2 Work Surface HPL:

---

*\*Note: If veneer was chosen for the exterior case, wood edges will match the case and you can skip Steps 3 & 4*

### 3 Work Surface PVC, applicable:

---

*\*Note: If veneer was chosen for the exterior case, wood edges will match the case and you can skip this step.*

### 4 Case PVC, applicable:

---

*\*Note: If veneer was chosen for the exterior case, wood edges will match the case and you can skip this step.*