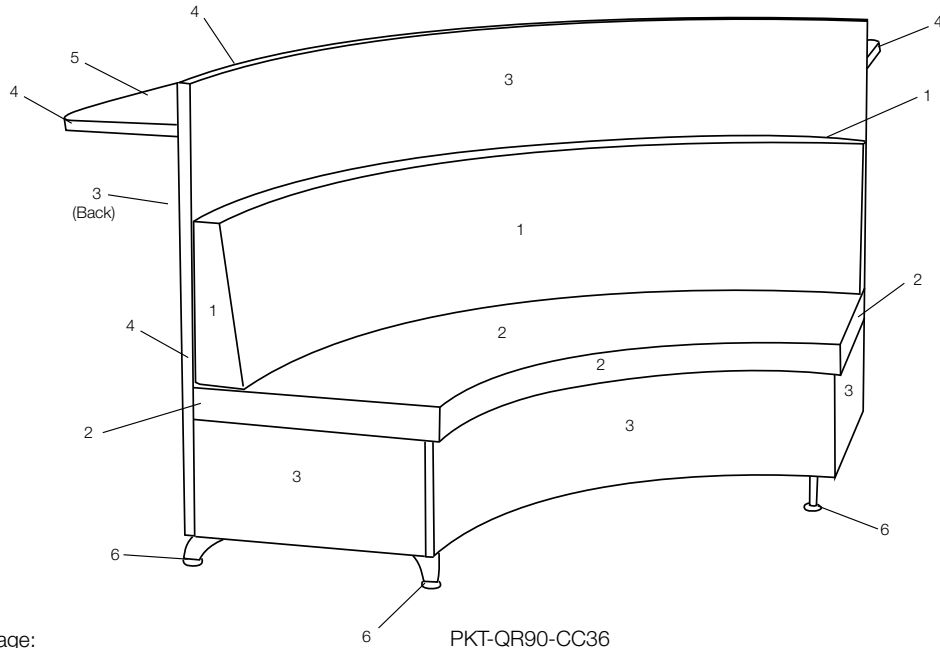


POCKET CAFE COUNTER FINISH DESIGNATOR

Typical Surface Designations:



*COM Yardage:

PKT-QR90-CC36 Back 3yd, Seat 3yd
PKT-QR90-CC42 Back 3yd, Seat 3yd

PKT-QR90-CC36
PKT-QR90-CC42

Job:

Model Number:

Finish Schedule:

- 1 Back Fabric: _____
- 2 Seat Fabric: _____
- 3 HPL or Veneer Bench Base/Back: _____
- 4 PVC or Wood Edge: _____
- 5 Work Surface HPL: _____
- 6 Leg Powder Coat: _____

*COM yardage is based on single material. For multiple selections divide number of colors by total faces and factor up by 20%.



pocketcafecounter-finishdesignator-190604

892 Industrial Park Drive
Shelby, MI 49455
P: 231.861.2194
F: 231.861.6678
www.mediatechnologies.com
sales@mediatechnologies.com

