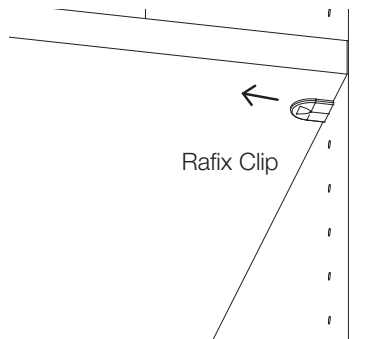


Hardware Included:

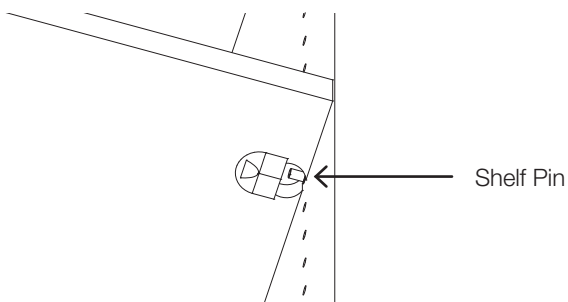
Rafix Clip
Shelf Pin

Adjusting Shelves

Step 1: Shown below is the Rafix Clip in closed and locked position. Reach under shelf and slide away from edge to unlock. *Note: the plastic "hugs" the pin tightly. A firm tap may be needed to unseat the pin from the plastic.*



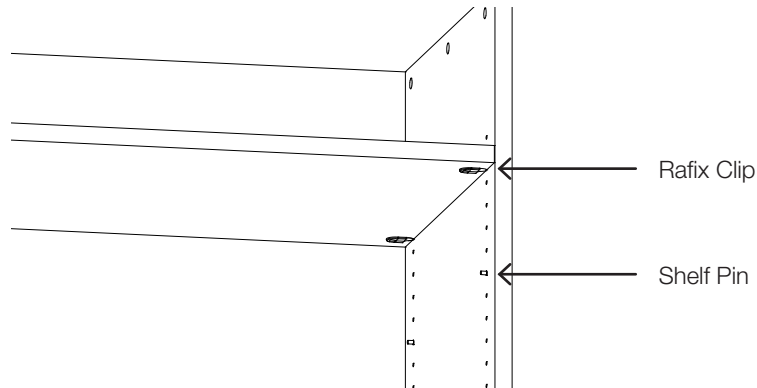
Step 2: Once Rafix Clip is slid into unlocked position, lift shelf up.



Drift

Storage

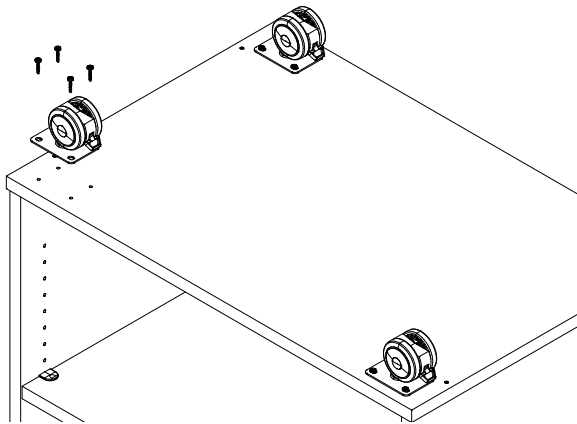
Step 3: To adjust shelves, remove shelf pins and replace into shelf pin hole on the desired level of next shelf.



Add Casters

Step 1: Flip Drift unit upside down on clean soft surface.

Step 2: Screw caster plate into machined holes on corners of unit. *Note: base plates come with (4) holes on each corner and line up with the (4) machined holes on each corner of the unit.*



Drift-instructions-230410

