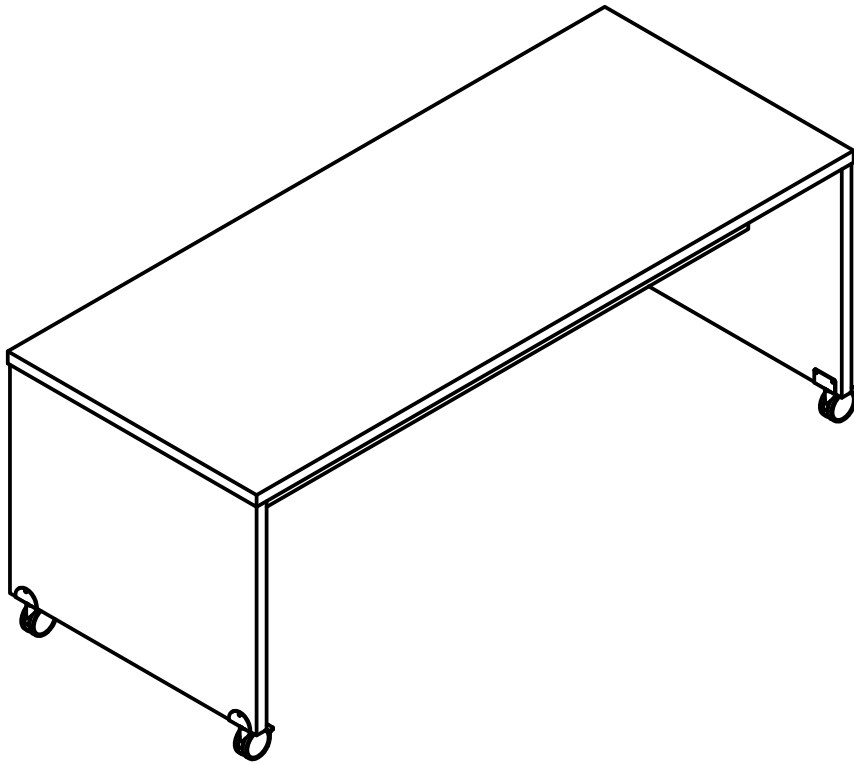
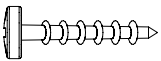


Kirby

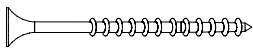
Tables



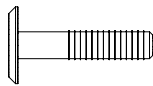
Hardware Included:



#8 x 5/8"
Pan Head Screw



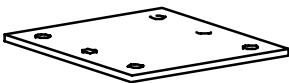
#8 x 1-1/2"
Flat Head Screw



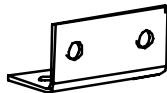
1/4-20 X 15mm
Connector Bolt



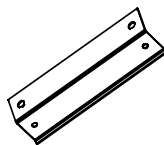
#12 x 1"
Pan Head Screw



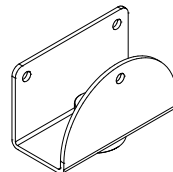
3" x 3"
Mending Plate



1" x 1" x 2"
L-Bracket



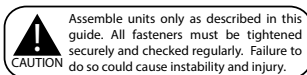
7" Z-Bracket



Caster Panel Bracket

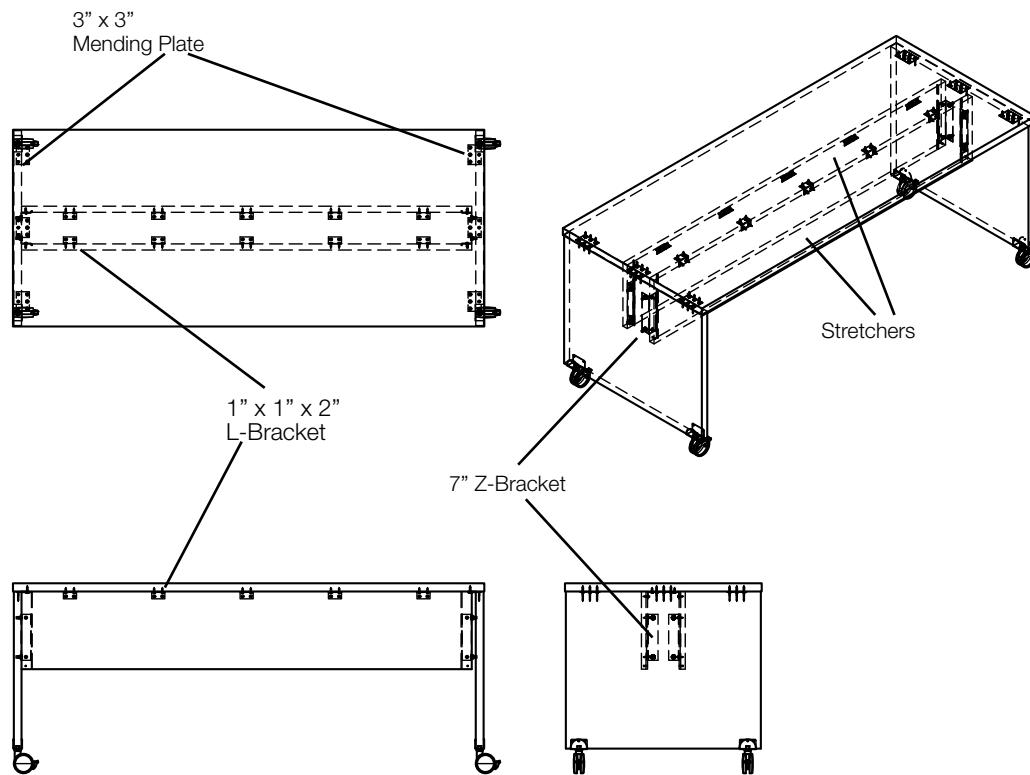
Tools Required:

- Phillips Head Screwdriver
- Flathead Screwdriver
- Allen Wrench



Kirby

Tables



Step 1: Attach (4) 3" x 3" mending plates to the top edge of each end panel using #8 x 1-1/3" Flat Head Screws.

Step 2: Attach (5) 1" x 1" x 2" L-brackets to the dadoed side of each stretcher using #8 x 5/8" Pan Head Screws.

Step 3: Place table top with laminate side down on a protective surface.

Step 4: Loosely attach z-brackets to the end panels with the 1/4-20 x 15mm Connector Bolts.

Step 5: Set the stretchers in place so the lip of the z-bracket fits into the dado on both ends of the stretcher, then attach to the stretcher with #12 x 1" Pan Head Screws.

Step 6: Now go back and tighten Connector Bolts on the end panels.

Step 7: Center the assembled base on the table top; attach it to the top with the small L-brackets and #8 x 5/8" Pan Head Screws as shown. Attach mending plates to top using #12 x 1" Pan Head Screws

Step 8: Flip the table over and adjust the glides as needed to make the table level. If unit is mobile, attach caster support brackets using #8 x 5/8 screws. i

instructions-kirby-231012

