

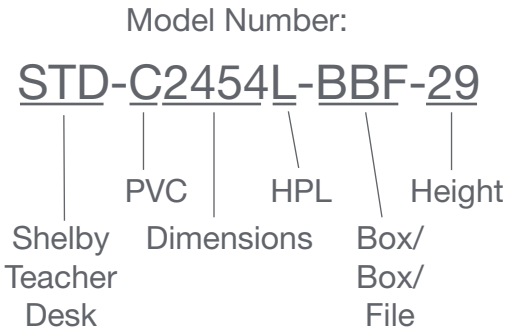
“How do I add finishes to...”

Shelby Teacher Desk

Select your Shelby Teacher Desk model from the mediatechnologies Shelby Teacher Desk price sheet by model number.

Follow the Step-by-Step method to tell us how you want your Shelby Teacher Desk finished. Make sure you indicate your finish choice for each step below in your purchase order. We will list your choices as notes below each individual model number in your order acknowledgement.

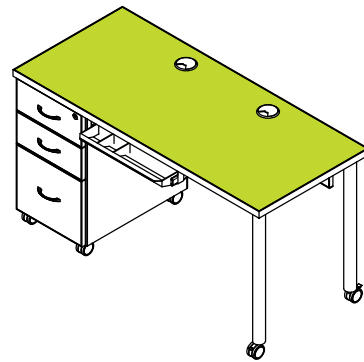
A break down of the Shelby Teacher Desk model number is shown to the right.



Step 1: Select HPL for worksurface.

See our selection of finish choices at <https://www.mediatechnologies.com/resources/finishes>

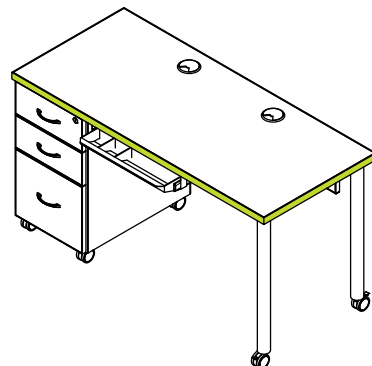
Enter your selection on “Worksurface HPL” line on the last page of this designator.



Step 2: Select PVC for worksurface edge.

See our selection of finish choices at <https://www.mediatechnologies.com/resources/finishes>

Enter your selection on “Worksurface PVC” line on the last page of this designator.



“How do I add finishes to...”

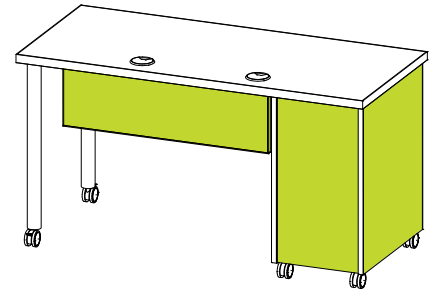
Shelby Teacher Desk

Step 3: Select HPL or TFL for modesty panel and pedestal(s), where applicable.

See our selection of finish choices at

<https://www.mediatechnologies.com/resources/finishes>

Enter your selection on “pedestal HPL/TFL” line on the last page of this designator.

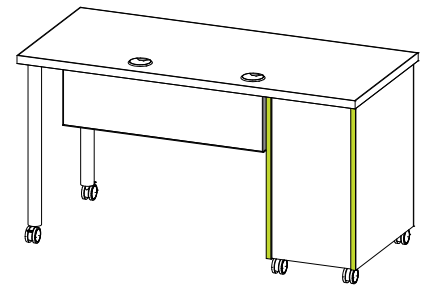


Step 4: Select PVC for pedestal edges.

See our selection of finish choices at

<https://www.mediatechnologies.com/resources/finishes>

Enter your selection on “Pedestal PVC” line on the last page of this designator.

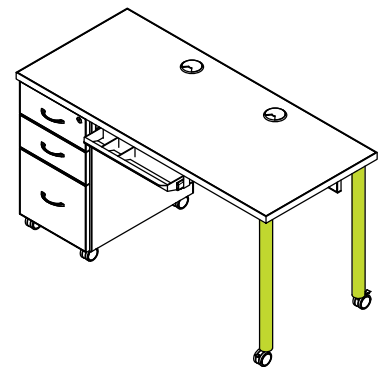


Step 5: Select powder coat for steel legs, where applicable.

See our selection of finish choices at

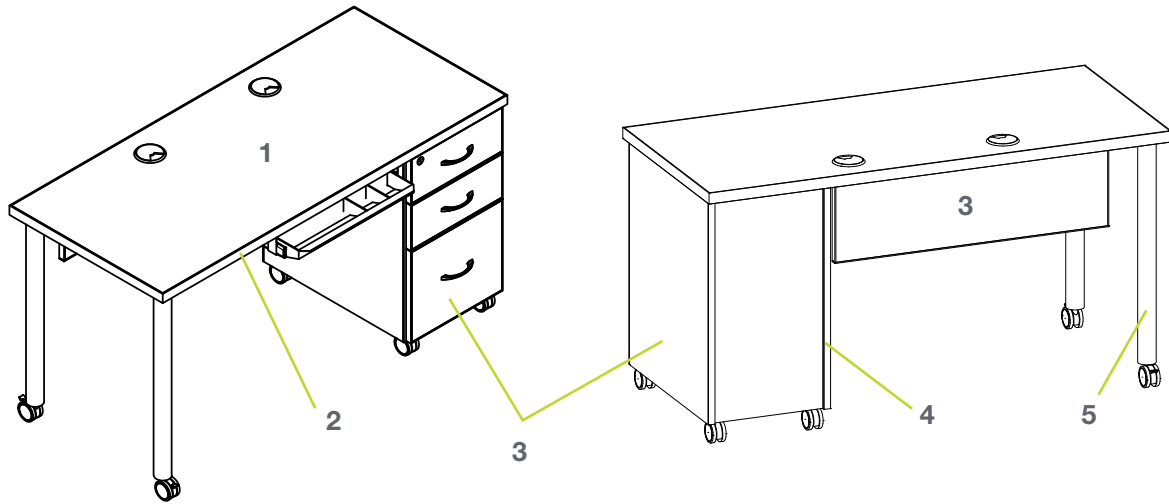
<https://www.mediatechnologies.com/resources/finishes>

Enter your selection on “Leg Powder Coat” line on the last page of this designator.



“How do I add finishes to...”

Shelby Teacher Desk



STD-C2454L-BBF-29

Job:

Model Number:

Finish Schedule:

1 Worksurface HPL:

2 Worksurface PVC:

3 Drawer/Cabinet HPL/TFL:

4 Pedestal PVC:

5 Leg Powder Coat:
