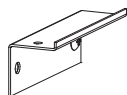
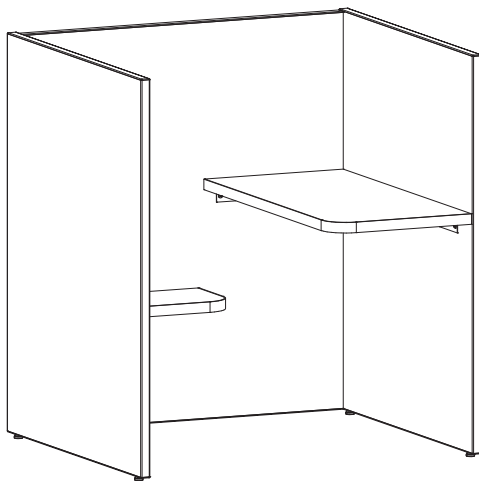


Cabana

Cubicles

Tools Required:

Phillips screwdriver
6mm wrench



5"
Z-bracket



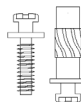
M6 x 10mm
Pan Head Screw



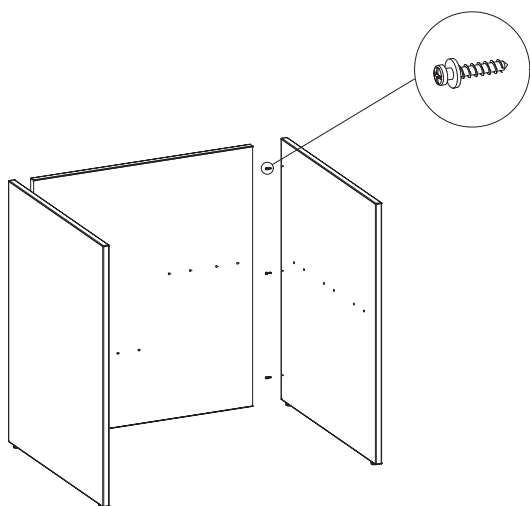
#12 x 1"
Pan Head Screw



MOD-EEZ
Stud



M/F MOD-EEZ
Stud



STEP 1 (Starter Unit) - Attaching end panels to back panels

Screw Mod-eez studs into holes in vertical center line of double end panels or back edge of single end panels.

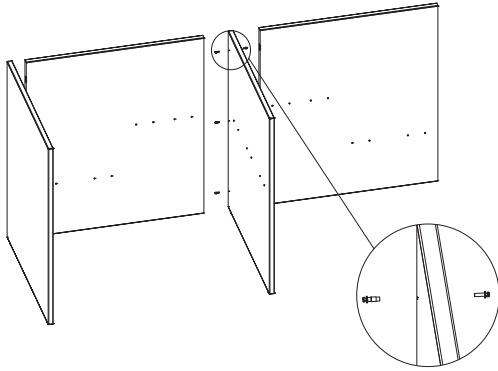
Slide Mod-eez studs into factory installed Mod-eez clips on either end of back panels.

cabana-instructions-240321



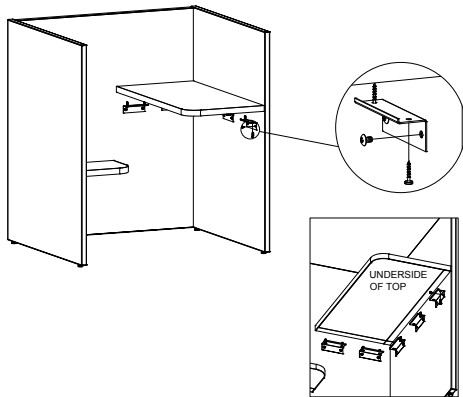
Cabana

Cubicles



Step 1.2 (Adder Unit):

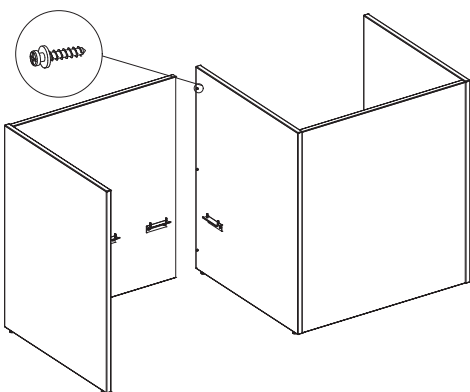
Mod-eez shoulder screw for double sided units have both male and female parts. One on each side of the center divider panel. Insert female Mod-eez connector bolt into pre-drilled holes in center divider panel. Then insert male Mod-eez shoulder screws into female connector bolts. Place panel (with pre-installed Mod-eez clip) onto the male Mod-eez screw in the center divider panel, as shown. Using a mallet, tap down to secure in place.



STEP 2 - Attaching Worksurface(s)

Screw M6 x $\frac{1}{2}$ " bolts through "Z" bracket into brass inserts in end/intermediate panels finger tight only for now.

Position the work surface onto the "Z" brackets. Make sure the short end of the "Z" bracket sits in the groove. Screw angle brackets to the underside of the work surface using #12 x 1" screws. Tighten bolts from Step 1.



FOR CABANA ZIG ZAG

See steps 1-2 while alternating sides at each intermediate panel for applicable number of cubicles in the run.

cabana-instructions-240321

