



Photography by Tom Holdsworth Photography

# Drift Shelving

classroom • media center





**media center**

# DRIFT CURVED SHELVING

## Single Faced – Wood Back



Drift Concave 30"H  
DFT-3018V  
(2) adjustable shelf on inner curve  
18"D x 72"W x 30"H



Drift Convex 30"H  
DFT-3018X  
(2) adjustable shelf on outer curve  
18"D x 72"W x 30"H



Drift Concave 36"H  
DFT-3618V  
(2) adjustable shelves on inner curve  
18"D x 72"W x 36"H



Drift Convex 36"H  
DFT-3618X  
(2) adjustable shelves on outer curve  
18"D x 72"W x 36"H

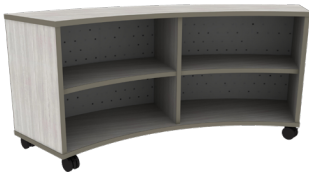


Drift Concave 42"H & 48"H  
DFT-4218V & DFT-4818V  
(4) adjustable shelves on inner curve  
18"D x 72"W x 42"H/48"H



Drift Convex  
DFT-4218X & DFT-4818X  
(4) adjustable shelves on outer curve  
18"D x 72"W x 42"H/48"H

## Single Faced – Perforated Metal Back



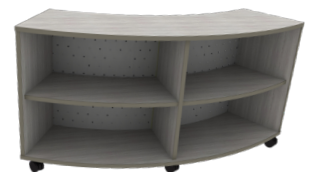
Steel Drift Concave 30"H  
DFTS-3018V  
(1) adjustable shelf on inner curve  
18"D x 72"W x 30"H



Drift Convex 30"H  
DFTS-3018X  
(1) adjustable shelf on outer curve  
18"D x 72"W x 30"H



Drift Concave 36"H  
DFTS-3618V  
(2) adjustable shelves on inner curve  
18"D x 72"W x 36"H



Drift Convex 36"H  
DFTS-3618X  
(2) adjustable shelves on outer curve  
18"D x 72"W x 36"H

**Note:** Some model numbers listed above are partial. Models receiving handles and connecting magnets will receive an "H". i.e. "DFTH-3018V-O-MOB".

# DRIFT CURVED SHELVING

## Single Faced - Perforated Metal Back Continued



Drift Concave 42"H/48"H  
DFTS-4218V & DFTS-4818V  
(4) adjustable shelves on inner curve  
18"D x 72"W x 42/48"H



Drift Convex 42"H/48"H  
DFTS-4218X & DFTS-4818X  
(4) adjustable shelves on outer curve  
18"D x 72"W x 42/48"H

## Double Faced – Perforated Metal Back

**Note:** Double Faced curve units come in only perforated metal back options.



Concave Side



Convex Side

Drift Double Faced 30"H & 36"H  
DFTS-3024D  
(2) adjustable shelf on each side  
24"D x 67"W x 30"H/36"H



Concave Side



Convex Side

Drift Double Faced 42"H & 48"H  
DFTS-4224D & DFTS-4824D  
(4) adjustable shelves on each side  
24"D x 67"W x 42"H/48"H

**Note:** Some model numbers listed above are partial. Models receiving handles and connecting magnets will receive an "H". i.e. "DFTH-3018V-O-MOB".

# DRIFT STRAIGHT SHELVING

## Single Faced – Wood Back



Drift Straight 36"H  
DFT-42-3618S-OCB  
DFT-42-3624S-OCB  
(2) adjustable shelves



Drift Straight 42"H  
DFT-42-4218S-OCB  
DFT-42-4818S-OCB  
DFT-42-4224S-OCB  
DFT-42-4824S-OCB  
(4) adjustable shelves



Drift Straight 54"H  
DFT-42-5418S-OCB  
DFT-42-5424S-OCB  
(6) adjustable shelves



Drift Straight 72"H  
DFT-42-7224S-OCB  
(8) adjustable shelves

## Single Faced – Perforated Metal Back



Steel Drift Straight 42"H & 48"H  
DFTS-42-4218S-OCB  
DFTS-42-4818S-OCB  
DFTS-42-4224S-OCB  
DFTS-42-4824S-OCB  
(4) adjustable shelves



Drift Straight  
Double Faced 36"H  
DFT-42-3624SD-OCB  
(4) adjustable shelves



Drift Straight  
Double Faced 42"H & 48"H  
DFT-42-4224SD-OCB  
DFT-42-4824SD-OCB  
(8) adjustable shelves



Drift Straight  
Double Faced 54"H  
DFT-42-5424SD-OCB  
(12) adjustable shelves

## Double Faced – Perforated Metal Back



Drift Straight  
Double Faced 36"H  
DFTS-42-3624SD-OCB  
(4) adjustable shelves



Drift Straight  
Double Faced 42"H & 48"H  
DFTS-42-4224SD-OCB  
DFTS-42-4824SD-OCB  
(8) adjustable shelves



Drift Straight  
Double Faced 54"H  
DFTS-42-5424SD-OCB  
(12) adjustable shelves

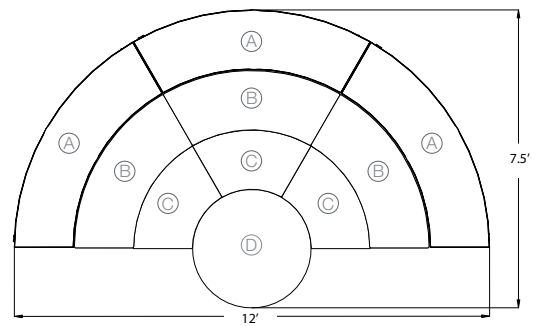
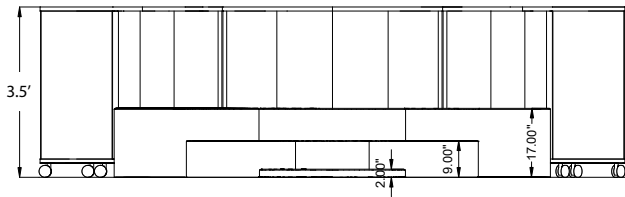
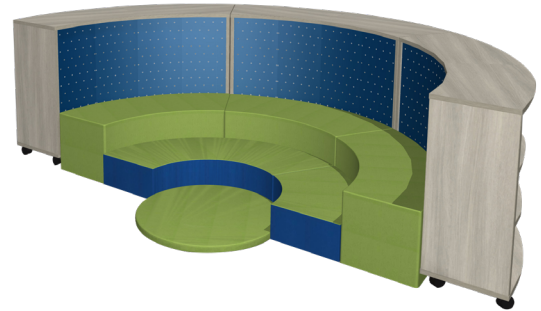
**Note:** Some model numbers listed above are partial. Models receiving handles and connecting magnets will receive an "H", i.e. "DFTH-3018V-O-MOB".

# PRODUCT PAIRINGS & KITS

## Drift Blox Kit

- Ⓐ (3) Drift Convex Mobile Shelves – DFTS-4218X-L-MOB
- Ⓑ (3) 17”H ABLOX – ABLOX-60-5418-17
- Ⓒ (3) 9”H ABLOX – ABLOX-60-3618-9
- Ⓓ (1) CBLOX – CBLOX-36-2

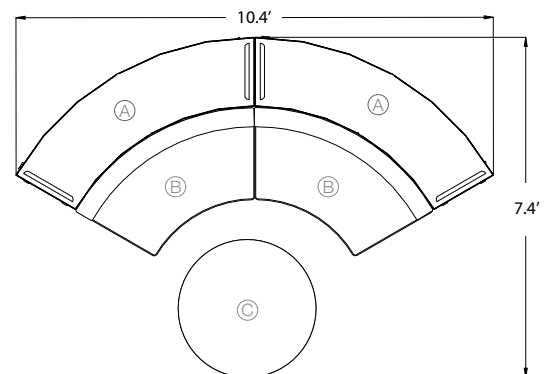
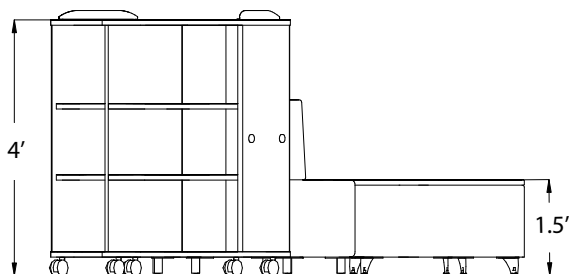
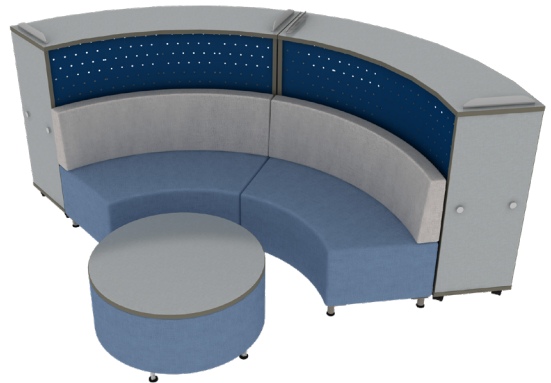
Footprint as shown is  
7.5'D x 12'W



## Drift & Full Time Kit

- Ⓐ (2) Drift Convex Mobile Shelves – DFTSH-4818X-MOB
- Ⓑ (2) Full Time Halfback Curves – FTCBV2-60-5S
- Ⓒ (1) Full Time Ottobles – FTDT-0036-5D

Kit Footprint as Shown:  
7.4'D x 10.4'W



# Features & Benefits:



- Drift Single- and Double-Faced Curved & Straight Mobile Shelving.
- Concave units have the shelving on the inside curve, convex units have the shelving on the outside curve and double sided units have shelving on both sides
- Perforated steel back options available
- Multiple configurations available when pairing together: pair concave units to make a circle or concave units with convex units to create an "S"
- Great for dividing a space or carving out a seating nook when paired with our Full Time Curve Ottomans.
- Optional connecting magnets and top handles are also available.
- View our Drift Curved Bookcase Product Demo video to learn how to adjust shelves at: <https://www.youtube.com/watch?v=7ZidtCdVYRA>

## To Order Specify

**Veneer/Thermally Fused Laminate/High Pressure Laminate:** Choose from our selection of high pressure laminates, veneer or thermally fused laminates on our website. View our Finish & Color Guide for Color Match suggestions at <https://www.mediatechnologies.com/resources/downloads/guides>

**PVC (for TFL & HPL models only):** Choose from our wide selection of PVCs. View our Finish & Color Guide for Color Match suggestions at <https://www.mediatechnologies.com/resources/downloads/guides>

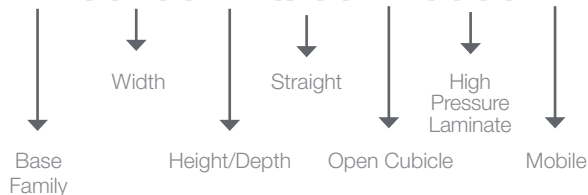
**Group I Powder Coat (if applicable):** 809 Silver, 138 White, 109 Cream, 208 Putty, 304 Dove Grey, 407 Stone, 912 Black, 902 Black Wrinkle

**Group II Powder Coat (up-charge, if applicable):** 5003 Navy, 808 Nickel, 405 Charcoal, 621 Goldfinch, 622 Parakeet, 613 Blue Heron, 627 Blue Wren, 629 Hummingbird, 618 Purple Martin, 624 Cardinal

See **mediatechnologie's** finish choices at <https://www.mediatechnologies.com/resources/finishes>

## Model Number Breakdown:

[DFTS]-[42]-[4218][S]-[OCB]-[L]-[MOB]



Concave      Convex  
 Concave unit has shelving on inside curve.  
 Convex unit has shelving on outside curve.

## Options



Handles



Connecting Magnets



Steel Bumpouts

**Note:** Handles and Connecting Magnets are sold as a package and are specified with an "H" in the model number. i.e. "DFTH-3018V-O-MOB"