

General Specifications

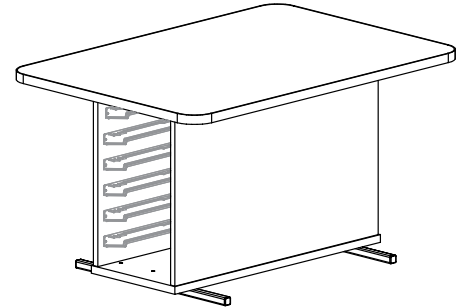
Work surface: is 1-1/4" thick, three ply engineered wood construction with .050" high pressure laminate and a phenolic backer sheet. The front edge is banded with 3mm PVC. Tops are attached to the case through a sub-top panel with metal fasteners.

TFL Case: is dowel and glue constructed using 3/4" thermally fused laminate back, top and side panels, bottom panel is 1" thermally fused laminate. All exposed edges are banded with 3 mm PVC. Cases are double faced and share a common back panel. If case is open storage, 1" thermally fused laminate adjustable shelf is included.

HPL Case: is dowel and glue constructed using 3/4" thick, three ply engineered wood construction with .040" high pressure laminate on both faces of back, top and side panels, bottom panel is 1" thick, three ply engineered wood construction with .040" high pressure laminate and a phenolic backer sheet. All exposed edges are banded with 3 mm PVC. Cases are double faced and share a common back panel. If case is open storage, 1" thick, three ply engineered wood construction with .040" high pressure laminate and a phenolic backer sheet adjustable shelf is included. Steel, powder coated support rails are attached to the bottom of the case and make the unit stable.

Tote Rails: TOTO tote rails are mounted on the inside faces of the end panels and both faces of the intermediate panels and allow totes to be fully removable. Tote rail type and spacing is suitable for the use of TOT03_ & TOT06_ totes. Totes are not included and can be found on our website.

The standard heights are 24", 27" & 29"H. Can be ordered as a mobile unit with casters.



		WorkBox Plank Table	
Model Number	Description	Wt	List Price
HPL Worksurface - Melamine Cabinet - 3mm PVC Edges			
Double-faced Open Storage Cabinet Base Tables - Rectangular Worksurface - Freestanding			
WBXLT-C3347-24-OS-T	33"D x 47"W x 24"H, 1 adjustable shelf per face	120	\$1,420
WBXLT-C3347-27-OS-T	33"D x 47"W x 27"H, 1 adjustable shelf per face	125	\$1,463
WBXLT-C3347-29-OS-T	33"D x 47"W x 29"H, 1 adjustable shelf per face	130	\$1,526
Double-faced Open Tote Storage - Rectangular Worksurface - Mobile			
WBXLT-C3347-24-TOTO-T	33"D x 47"W x 24"H, Stop-tilt-remove tote rails to accommodate 5 TOT03 totes per face (10 total)	120	\$1,420
WBXLT-C3347-27-TOTO-T	33"D x 47"W x 27"H, Stop-tilt-remove tote rails to accommodate 6 TOT03 totes per face (12 total)	125	\$1,463
WBXLT-C3347-29-TOTO-T	33"D x 47"W x 29"H, Stop-tilt-remove tote rails to accommodate 7 TOT03 totes per face (14 total)	130	\$1,526

Note: Totes are not included and are sold separately.

Model Number	Description	Wt	List Price
HPL Worksurface - HPL Cabinet - 3mm PVC Edges			
Double-faced Open Storage Cabinet Base Tables - Rectangular Worksurface - Mobile			
WBXLT-C3347-24-OS-L-MOB	33"D x 47"W x 24"H, 1 adjustable shelf per face	120	\$1,505
WBXLT-C3347-27-OS-L-MOB	33"D x 47"W x 27"H, 1 adjustable shelf per face	125	\$1,547
WBXLT-C3347-29-OS-L-MOB	33"D x 47"W x 29"H, 1 adjustable shelf per face	130	\$1,610
Double-faced Open Tote Storage - Rectangular Worksurface - Mobile			
WBXLT-C3347-24-TOTO-L-MOB	33"D x 47"W x 24"H, Stop-tilt-remove tote rails to accommodate 4 TOT03 totes per face (8 total)	120	\$1,505
WBXLT-C3347-27-TOTO-L-MOB	33"D x 47"W x 27"H, Stop-tilt-remove tote rails to accommodate 5 TOT03 totes per face (10 total)	125	\$1,547
WBXLT-C3347-29-TOTO-L-MOB	33"D x 47"W x 29"H, Stop-tilt-remove tote rails to accommodate 6 TOT03 totes per face (12 total)	130	\$1,610

Note: Totes are not included and are sold separately.