

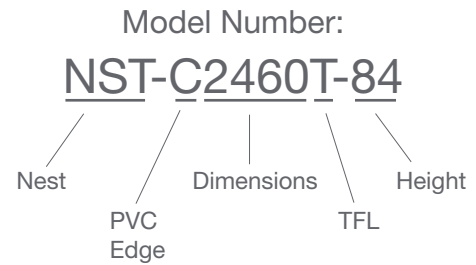
“How do I add finishes to...”

The Nest

Select your desired Nest unit from the mediatechnologies Nest Price sheet by model number.

Follow the Step-by-Step method to tell us how you want your Nest unit finished. Make sure you indicate your finish choice for each step below in your purchase order. We will list your choices as notes below each individual model number in your order acknowledgement.

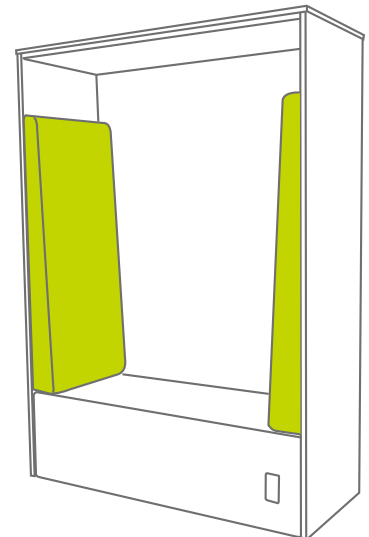
To the right is a simple explanation of a mediatechnologies Nest model number.



Step 1: Select fabric for seat back.

Choose from our selection of fabrics.
See our selection of fabric choices at
<https://www.mediatechnologies.com/resources/fabrics>

Enter your selection on the “Seat Back Fabric” line on the last page of this designator.



“How do I add finishes to...”

The Nest

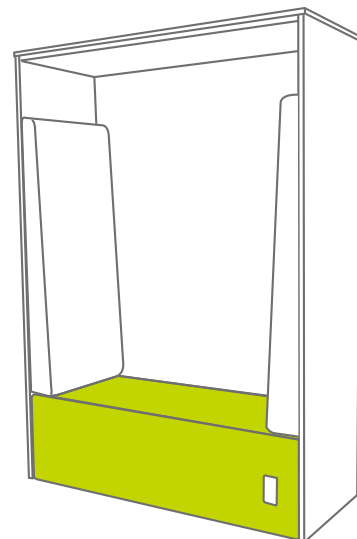
Step 2: Select fabric for seat.

Choose from our selection of fabrics.

See our selection of fabric choices at

<https://www.mediatechnologies.com/resources/fabrics>

Enter your selection on “Seat Fabric” line on the last page of this designator.



Step 3: Select HPL or TFL for

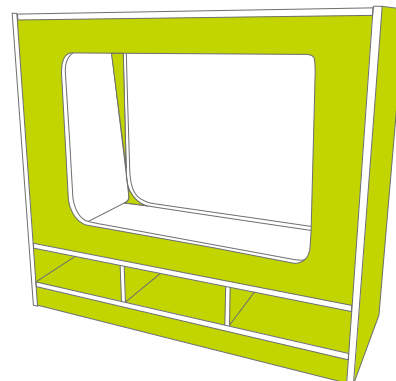
frame/back and interior surfaces.

Choose from our selection of finishes.

See our selection of finish choices at

<https://www.mediatechnologies.com/resources/finishes>

Enter your selection on the “Frame & Interior Surfaces HPL/TFL” line on the last page of this designator.



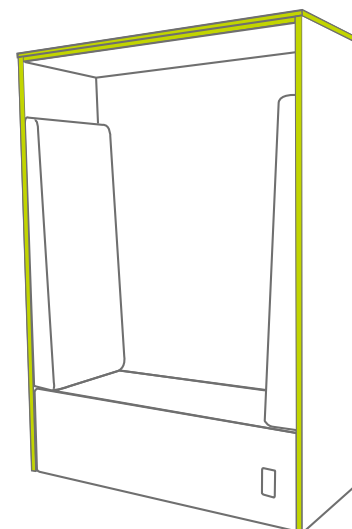
Step 4: Select PVC for all edges.

Choose from our selection of finishes.

See our selection of finish choices at

<https://www.mediatechnologies.com/resources/finishes>

Enter your selection on the “All Edges PVC” line on the last page of this designator.



“How do I add finishes to...”

The Nest

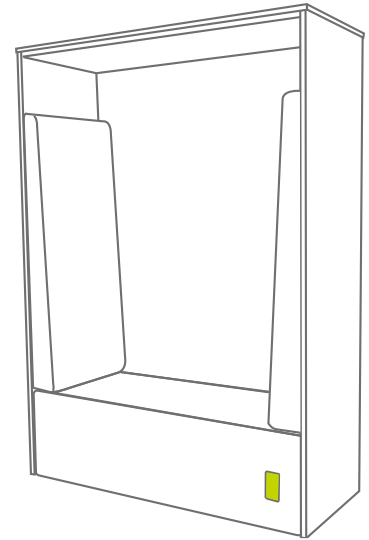
Step 5: Select a power option, if applicable.

Choose from our selection of power and connectivity options by viewing our Connect Brochure at:

See our selection of finish choices at

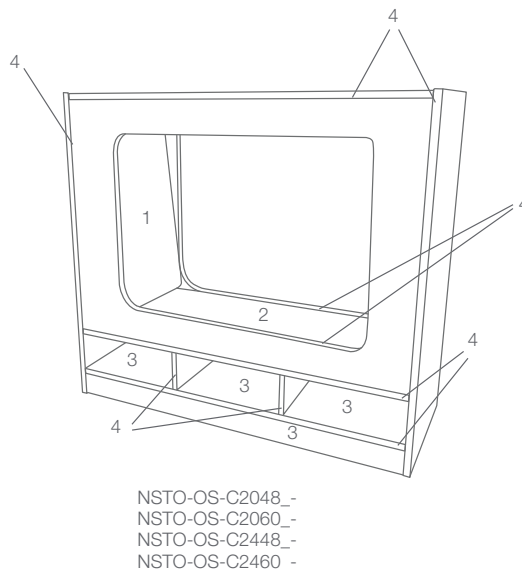
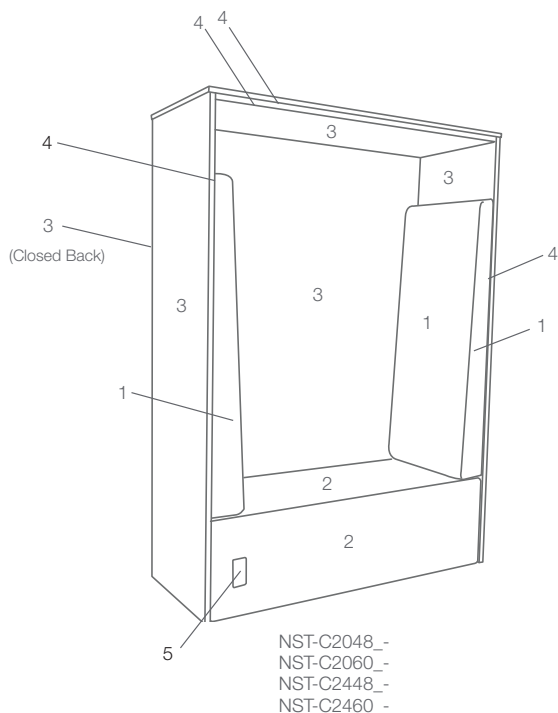
<https://www.mediatechnologies.com/resources/downloads/brochures>

Enter your selection on the “Power Option” line on the last page of this designator.



“How do I add finishes to...”

The Nest



***COM Yardage:**

NST-C2048_-	6 yrds	NSTO-OS-C2048_-	6 yrds
NST-C2060_-	6.5 yrds	NSTO-OS-C2060_-	6.5 yrds
NST-C2448_-	6 yrds	NSTO-OS-C2448_-	6 yrds
NST-C2460_-	6.5 yrds	NSTO-OS-C2460_-	6.5 yrds

Job:

Model Number:

Finish Schedule:

1 Seat Back Fabric: _____

2 Seat Fabric: _____

3 Frame & Interior Surfaces HPL/TFL: _____

4 All Edges PVC: _____

5 Power Option, if applicable: _____

*COM yardage is based on single material. For multiple selections divide number of colors by total faces and factor up by 20%.