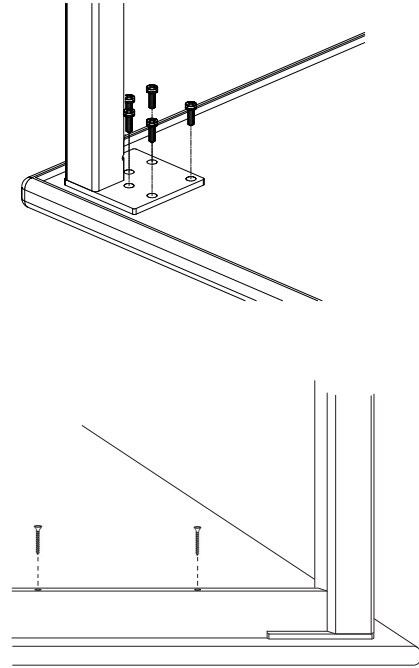
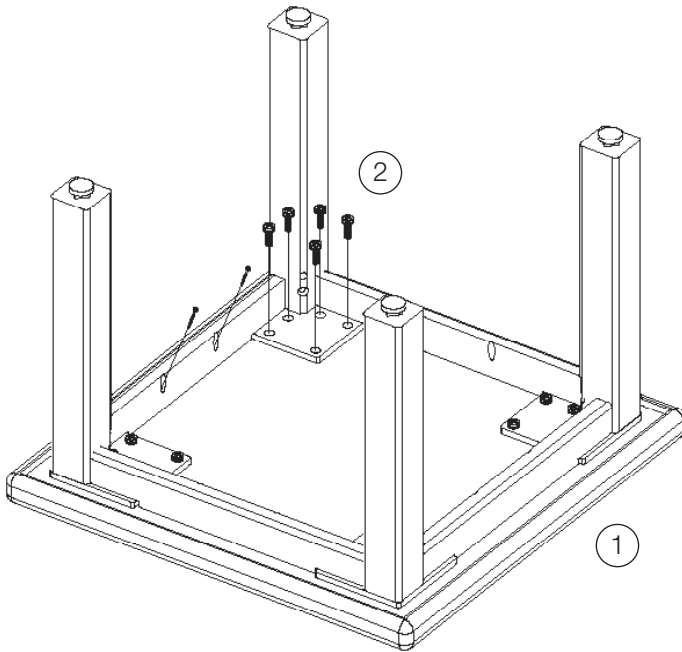


Bookmark, Metro, Lexington

Occasional Tables



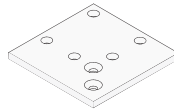
Hardware Included:



5/16-18 x 1" Bolts



#8 x 1-1/4" screws



Mounting plates are pre-attached to legs

Tools Required:

- Phillips screwdriver
- 5/16 wrench

Step 1:

Place table top upside down on a clean padded surface. Attach leg plates (with attached legs) to table using the 5/16-18 x 1" bolts. If installing optional aprons, **DO NOT COMPLETELY TIGHTEN BOLTS** and see Step 2. If no apron is being installed, tighten bolts now.

Step 2:

Align apron between the legs on the table. The holes in the leg plate are oversized to allow you to position the leg and apron. Position the face of the apron just behind the leg edge radius and attach with the #8 x 1-1/4" screws. Finish tightening bolts from Step 1.

instructions-bookmark-metro-lexington-191127

