

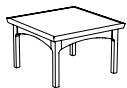
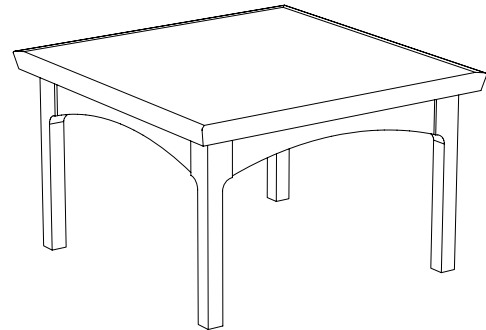
General Specifications

Table Top: Table tops are 1-1/4" thick, three-ply engineered wood construction, with .050" high-pressure laminate (HPL) surface and a phenolic backer. The standard edge is 5/8"x1-5/8" solid red oak with a 1/2" radius all around.

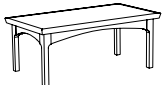
Apron: The apron is 1"x3-3/4" with a 1/8" radius on the exposed edges. Each apron is machined to a gentle arch, 2" deep at midspan. Aprons span the distance between the legs and are attached with #8 screws.

Legs: The legs are 2-1/4" solid glued up red oak with a 3/8" radius on all long edges. They are attached to the top by means of a 5"x5/16" steel plate. The leg and the plate are joined by (2) 5/16-18 machine bolts screwed into a 1/2" diameter barrel nut which is embedded in the leg. The steel plate is attached to the table top by (5) 5/16-18 machine bolts which screw into 5/16-18 metal insert embedded in the top. Each leg is equipped with a leveling guide.

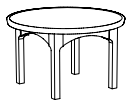
Finish: See **mediatechnologies®** Finish and Color Guide for choices.



Square



Rectangle



Round

			Lexington	
Model Number	Description	Wgt	List Price	
Square Tables				
L2424T-18	24"W x 24"D x 18"H	38	\$1,135	
L2424T-22	24"W x 24"D x 22"H	38	\$1,135	
Rectangular Tables				
L3030T-18	30"W x 30"D x 18"H	42	\$1,260	
L3030T-22	30"W x 30"D x 22"H	42	\$1,260	
Round Tables				
L0030T-18	30" Diameter x 18"H	39	\$1,891	
L0030T-22	30" Diameter x 22"H	39	\$1,891	

Required to order: Model # including options if applicable

- HPL selection
- wood finish selection

If applicable: Prices shown are for oak construction. Use of maple or other species may incur an upcharge.

Set Up Charges and Upcharges for Non-Standard and Custom Finishes

Model Number	Description	List Price
Custom Finish	Upcharge for custom stain finish	\$640
Non-Standard Stain	Upcharge for non-standard stains already matched	\$283
Sprayon Finish	Upcharge, per color, per order, for Sprayon finish	\$329