

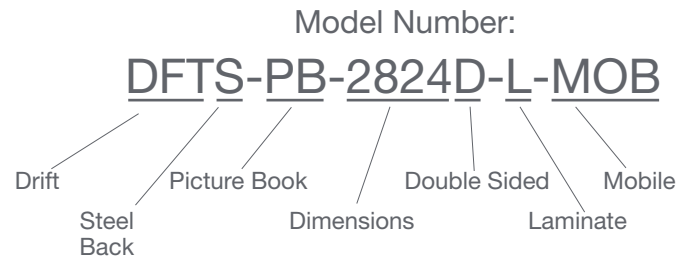
# “How do I add finishes to...”

## Drift Picture Book

**Select** your desired Drift Picture Book from the mediatechnologies Drift Price sheet by model number.

**Follow** the Step-by-Step method to tell us how you want your Drift Picture Book unit finished. Make sure you indicate your finish choice for each step below in your purchase order. We will list your choices as notes below each individual model number in your order acknowledgement.

To the right is a simple explanation of a mediatechnologies Drift Picture Book model number.



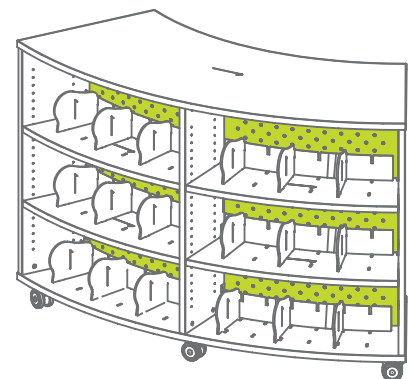
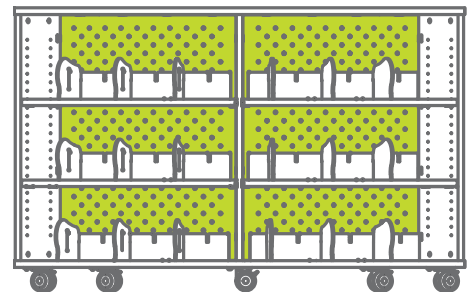
**Step 1:** Select powder coat for perforated steel back panel.

Choose from our selection of finishes.

See our selection of finish choices at

<https://www.mediatechnologies.com/resources/finishes>

Enter your selection on “Steel Back Panel Powder Coat” line on the last page of this designator.



*For double faced units, the back panel divides the two faces.*

# “How do I add finishes to...”

## Drift Picture Book

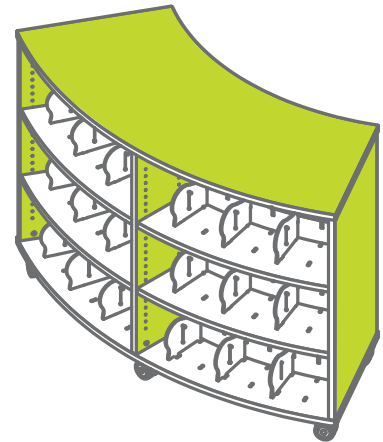
**Step 2:** Select HPL or TFL for top, ends, and intermediate panel.

Choose from our selection of finishes.

See our selection of finish choices at

<https://www.mediatechnologies.com/resources/finishes>

Enter your selection on “Top, Ends & Intermediate Panel HPL/TFL” line on the last page of this designator.



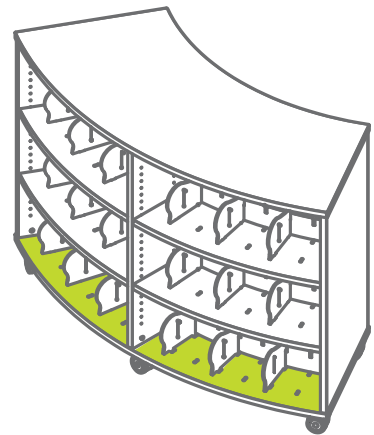
**Step 3:** Select HPL or TFL for fixed base (shelf).

Choose from our selection of finishes

See our selection of finish choices at

<https://www.mediatechnologies.com/resources/finishes>

Enter your selection on “Fixed Base (Shelf) HPL/TFL” line on the last page of this designator.



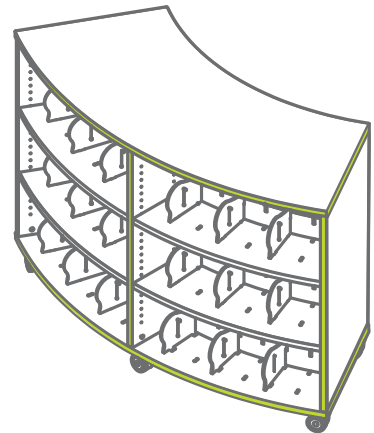
**Step 4:** Select PVC for top, ends, intermediate panel and fixed base (shelf) edges.

Choose from our selection of finishes

See our selection of finish choices at

<https://www.mediatechnologies.com/resources/finishes>

Enter your selection on “Top/Ends/Intermediate Panel/Fixed Base (Shelf) PVC” line on the last page of this designator.



# “How do I add finishes to...”

## Drift Picture Book

### Step 5:

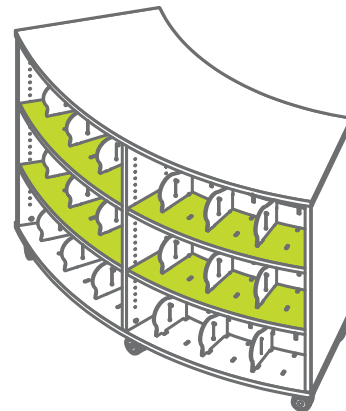
Select HPL or TFL for adjustable shelves.

Choose from our selection of finishes.

See our selection of finish choices at

<https://www.mediatechnologies.com/resources/finishes>

Enter your selection on “Adjustable Shelves HPL/TFL” line on the last page of this designator.



### Step 6:

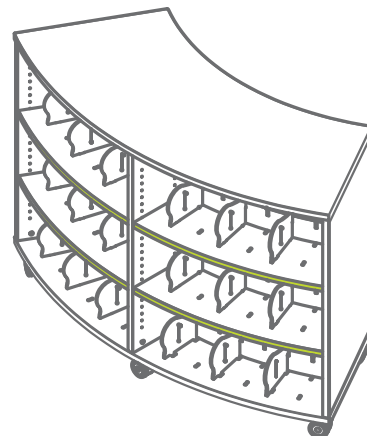
Select PVC for adjustable shelves edges.

Choose from our selection of finishes.

See our selection of finish choices at

<https://www.mediatechnologies.com/resources/finishes>

Enter your selection on the “Adjustable Shelves PVC” line on the last page of this designator.



### Step 7:

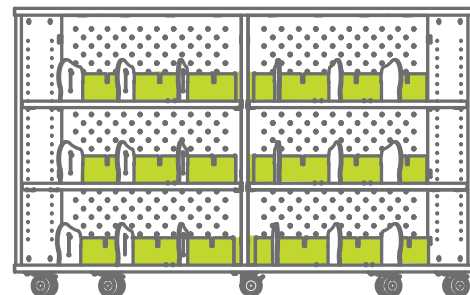
Select powder coat for steel bumpouts.

Choose from our selection of finishes.

See our selection of finish choices at

<https://www.mediatechnologies.com/resources/finishes>

Enter your selection on the “Steel Bumpouts Powder Coat” line on the last page of this designator.



# “How do I add finishes to...”

## Drift Picture Book

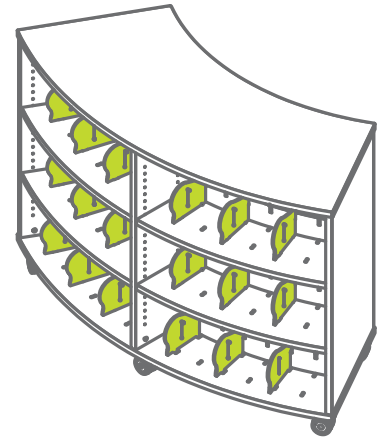
### Step 8: Select HPL or TFL for picture book dividers.

Choose from our selection of finishes.

See our selection of finish choices at

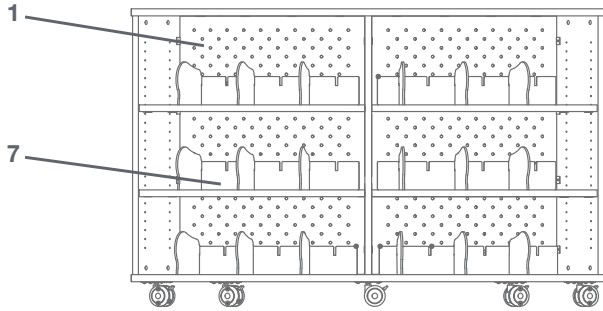
<https://www.mediatechnologies.com/resources/finishes>

Enter your selection on the “Picture Book Divider HPL/TFL” line on the last page of this designator.

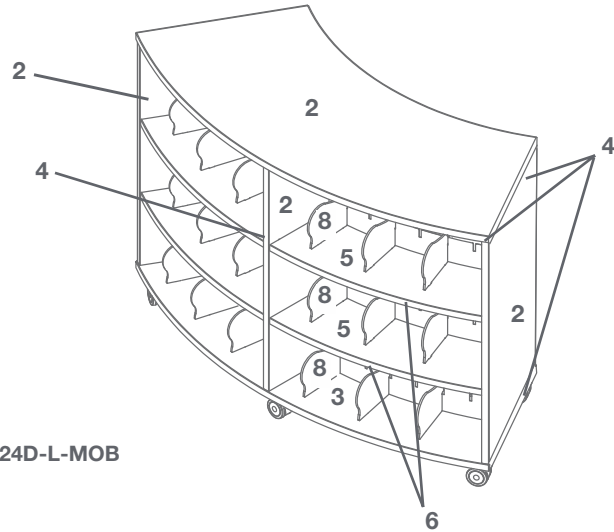


# “How do I add finishes to...”

## Drift Picture Book



DFTS-PB-2824D-L-MOB



Job:

Model Number:

Finish Schedule:

**1** Steel Back Panel Powder Coat:

**2** Top, Ends & Intermediate Panel HPL/TFL:

**3** Fixed Base (Shelf) HPL/TFL:

**4** Top/Ends/Intermediate Panel/Fixed Base (Shelf) PVC:

**5** Adjustable Shelves HPL/TFL:

**6** Adjustable Shelves PVC:

**7** Steel Bumpouts Powder Coat:

**8** Picture Book Divider HPL/TFL: