

# “How do I add finishes to...”

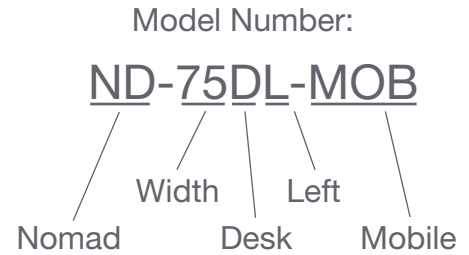
## Nomad

**Select** your Nomad model from the mediatechnologies Nomad price sheet by model number.

**Follow** the Step-by-Step method to tell us how you want your Nomad finished. Make sure you indicate your finish choice for each step below in your purchase order. We will list your choices as notes below each individual model number in your order acknowledgement.

A break down of the Nomad model number is shown to the right.

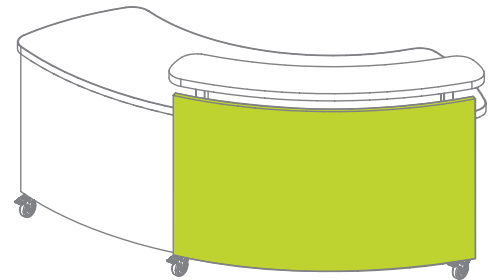
*Note:* Transaction Top Left or Right is determined by the perspective of the user. Desks with out a transaction top will have an “X” in the model number and will affect the left or right position of the main (large) panel, also determined by the perspective of the user: for example ND-75XL-MOB will have the main (large) panel positioned on the left.



**Step 1:** Select HPL for Main (Large) panel.

See our selection of finish choices at <https://www.mediatechnologies.com/resources/finishes>

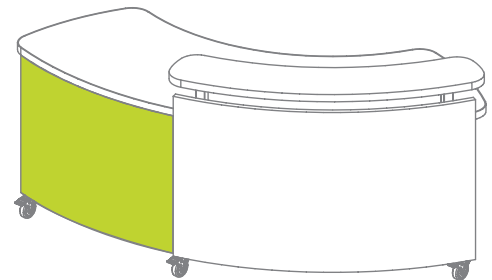
Enter your selection on “Main/Large Panel HPL” line on the last page of this designator.



**Step 2:** Select HPL for smaller accent panel.

See our selection of finish choices at <https://www.mediatechnologies.com/resources/finishes>

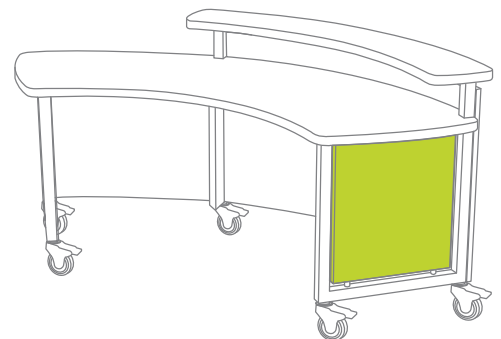
Enter your selection on “Accent Panel HPL” line on the last page of this designator.



**Step 3:** Select HPL for side panels.

See our selection of finish choices at <https://www.mediatechnologies.com/resources/finishes>

Enter your selection on “Side Panel HPL” line on the last page of this designator.



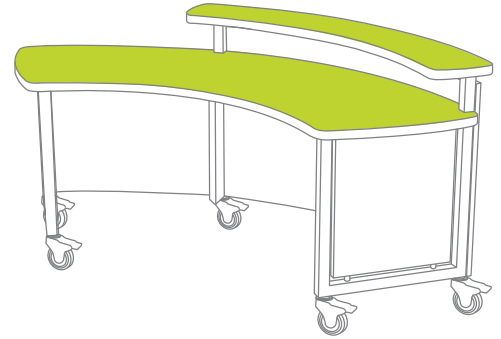
# “How do I add finishes to...”

## Nomad

**Step 4:** Select HPL for work surface and transaction top surface, if applicable.

See our selection of finish choices at <https://www.mediatechnologies.com/resources/finishes>

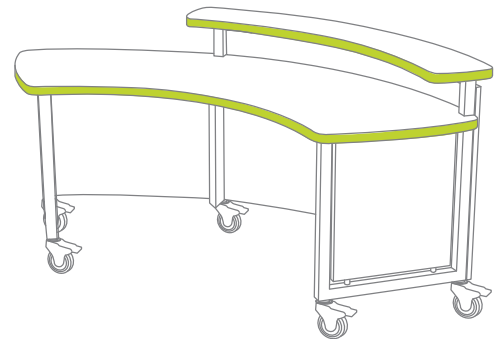
Enter your selection on “Work Surface HPL” line on the last page of this designator.



**Step 5:** Select PVC for work surface and transaction top, if applicable.

See our selection of finish choices at <https://www.mediatechnologies.com/resources/finishes>

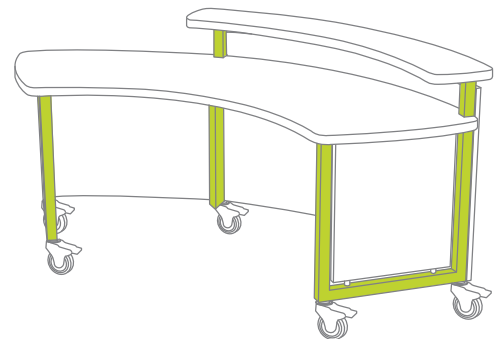
Enter your selection on “Work Surface PVC” line on the last page of this designator.



**Step 6:** Select powder coat for steel frame.

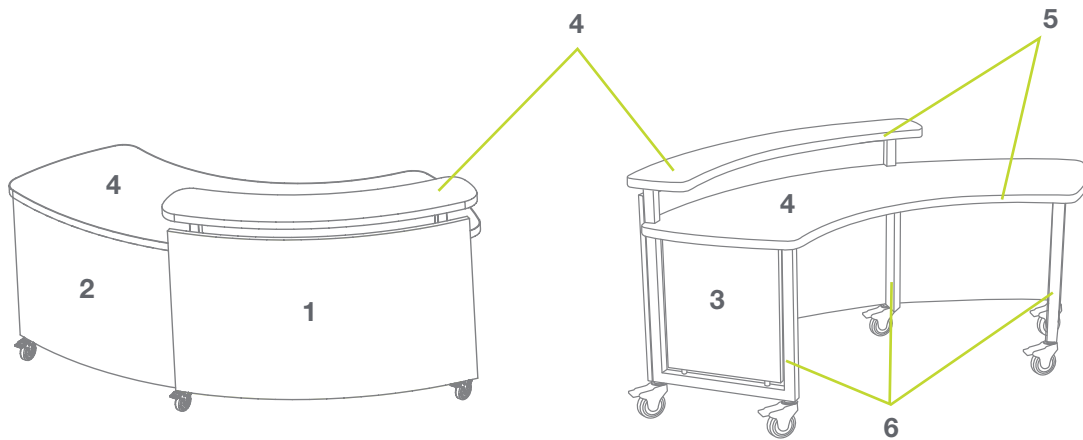
See our selection of finish choices at <https://www.mediatechnologies.com/resources/finishes>

Enter your selection on “Steel Frame Powder Coat” line on the last page of this designator.



# “How do I add finishes to...”

## Nomad



ND-\_DL\_-\_MOB  
ND-\_DR\_-\_MOB  
ND-\_DXL\_-\_MOB  
ND-\_DXR\_-\_MOB

NDS-\_DL\_-\_MOB  
NDS-\_DR\_-\_MOB  
NDS-\_DXL\_-\_MOB  
NDS-\_DXR\_-\_MOB

**Job:**

**Model Number:**

**Finish Schedule:**

**1 Main/Large Panel HPL:** \_\_\_\_\_

**2 Accent Panel HPL:** \_\_\_\_\_

**3 Side Panel HPL:** \_\_\_\_\_

**4 Work Surface HPL:** \_\_\_\_\_

**5 Work Surface PVC:** \_\_\_\_\_

**6 Steel Frame Powder Coat:** \_\_\_\_\_