

General Specification

Table Top: Tops are 1-1/4" thick, three ply engineered wood construction with .050" high pressure laminate (HPL) and a phenolic backer sheet. The Heritage edge is 5/8" x 1-1/4" solid red oak with 1/8" roundover radius top and bottom. Tops 60" and over are supported on the underside with a 14 gauge steel keel. **To specify veneer core: Add -V to the model number.**

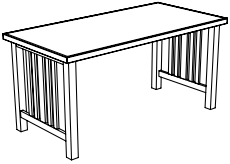
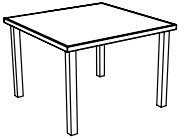
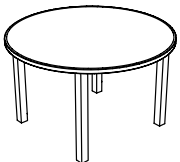
Legs: The legs are 2-1/2" solid red oak with a 1/4" round-over radius on all long edges. They are attached to the top by means of a 5" x 5" x 5/16" steel plate. The leg and the plate are joined by (2) 5/16-18 machine bolts screwed into a 1/2" diameter steel barrel nut which is embedded in the leg. The steel plate is attached to the table top by (5) 5/16-18 machine bolts which screw into 5/16-18 metal inserts embedded in the top. Each leg is equipped with a levelling glide.

Detail: A mission style detail of 7/8" x 2" solid red oak upper and lower rails with a 5/8" x 2-1/2" solid red oak vertical slat flanked by 1-1/2" W vertical slats spans between legs on each narrow end of a table. Tables 30" and wider receive 5 slats total. Tables under 30" wide receive 3 slats total. Detail is not applied to square or round tables.

Apron: The apron is 1"x3" with a hard sand break on exposed edges. Aprons are machined on inside the face at each end to receive a 12 gauge steel bracket which, when fastened to the aprons, forms a structural frame that supports the top. Mounting bolts pass through the brackets at each corner of the frame into the legs and, when tightened, rigidify the entire assembly. Aprons are machined on their inside faces with pocket holes and #8 screws pass through these to attach the table top.

Table height: The standard table height is 29". Other heights are available. **To specify height: Add height to the model number (i.e. -27 for 27" height).**
Specify: model number/edge/wood finish/laminate/height
(Pricing shown is for oak)

All tables meet BIFMA standards.

				Library Tables	
Rectangle	Model Number	Description	Wgt.	List Price	
	H2436T	24"W X 36"L Heritage Table	64	\$1,587	
	H2436T-A	24"W X 36"L Heritage Table with Apron	71	\$1,868	
	H3060T	30"W X 60"L Heritage Table	96	\$2,324	
	H3060T-A	30"W X 60"L Heritage Table with Apron	109	\$2,569	
	H3660T	36"W X 60"L Heritage Table	110	\$2,486	
	H3660T-A	36"W X 60"L Heritage Table with Apron	124	\$2,755	
	H4260T	42"W X 60"L Heritage Table	125	\$2,806	
	H4260T-A	42"W X 60"L Heritage Table with Apron	135	\$3,097	
	H3672T	36"W X 72"L Heritage Table	128	\$2,979	
	H3672T-A	36"W X 72"L Heritage Table with Apron	138	\$3,270	
	H4272T	42"W X 72"L Heritage Table	145	\$3,082	
H4272T-A	42"W X 72"L Heritage Table with Apron	156	\$3,391		
Square	Model Number	Description	Wgt.	List Price	
	H4242T	42"W X 42"L Heritage Table	96	\$1,516	
	H4242T-A	42"W X 42"L Heritage Table with Apron	104	\$1,738	
	H4848T	48"W X 48"L Heritage Table	116	\$1,597	
	H4848T-A	48"W X 48"L Heritage Table with Apron	125	\$1,761	
Round	Model Number	Description	Wgt.	List Price	
	H0042T	42" Diameter Heritage Table	85	\$1,712	
	H0042T-A	42" Diameter Heritage Table with Apron	92	\$1,871	
	H0048T	48" Diameter Heritage Table	105	\$1,712	
	H0048T-A	48" Diameter Heritage Table with Apron	113	\$1,892	

General Specification

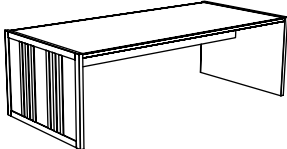
Table Top: Tops are 1-1/4" thick, three ply engineered wood construction with .050" high pressure laminate (HPL) and a phenolic backer sheet. The Heritage edge is 5/8" x 1-1/4" solid red oak with 1/8" round-over radius top and bottom. Tops are supported on the underside with a wood keel. **To specify veneer core: Add -V to the model number.**

End panel: The end panels consist of a 1-3/16" thick panel of engineered wood construction with select oak veneer faces. The panel is flush on the back side and shows the Heritage mission style detail of 1-5/16" x 2" rails and stiles with 1-1/2" vertical slats. The end panels extend 1/4" above and 1/4" beyond the edges of the top.

Keel: Keels are 1-3/16", engineered wood with select red oak on both faces. The bottom edge is banded with 1/8" solid red oak. Each panel is joined to the keel using Mod-eez fasteners. Tables 42" wide and wider have two keels.

Specify: model number/edge/wood finish/laminate/height
(Pricing shown is for oak)

All tables meet BIFMA standards.

Panel End Tables	Model Number	Description	Wgt.	List Price
	HP3060T	30"W X 60"L Heritage Panel Table	128	\$2,325
	HP3660T	36"W X 60"L Heritage Panel Table	151	\$2,523
	HP4260T	42"W X 60"L Heritage Panel Table	174	\$2,886
	HP4860T	48"W X 60"L Heritage Panel Table	200	\$2,979
	HP3672T	36"W X 72"L Heritage Panel Table	166	\$2,550
	HP4272T	42"W X 72"L Heritage Panel Table	199	\$3,196
	HP4872T	48"W X 72"L Heritage Panel Table	221	\$3,292
	HP3690T	36"W X 90"L Heritage Panel Table	193	\$3,265
	HP4290T	42"W X 90"L Heritage Panel Table	228	\$3,812
	HP4890T	48"W X 90"L Heritage Panel Table	254	\$3,907

Required to Order:

Part number including any options

Wood finish

Laminate

Options

Veneer Core Top

Table Height

How to Indicate

Add "-V" to part number (B2436T-V)

Add to part number (B2436T-27 for 27" high)

Set Up Charges and Upcharges for Non-Standard and Custom Finishes

Model Number	Description	List Price
Group 2 Powder Coat	Set up charge, per color, per order, for Group 2 Powder Coat	\$329
Non-Standard PVC	Upcharge, per color, per order, for non-standard PVC	\$911
Custom Finish	Upcharge for custom stain finish	\$640
Non-Standard Stain	Upcharge for non-standard stains already matched	\$283
Sprayon Finish	Upcharge, per color, per order, for Sprayon finish	\$329