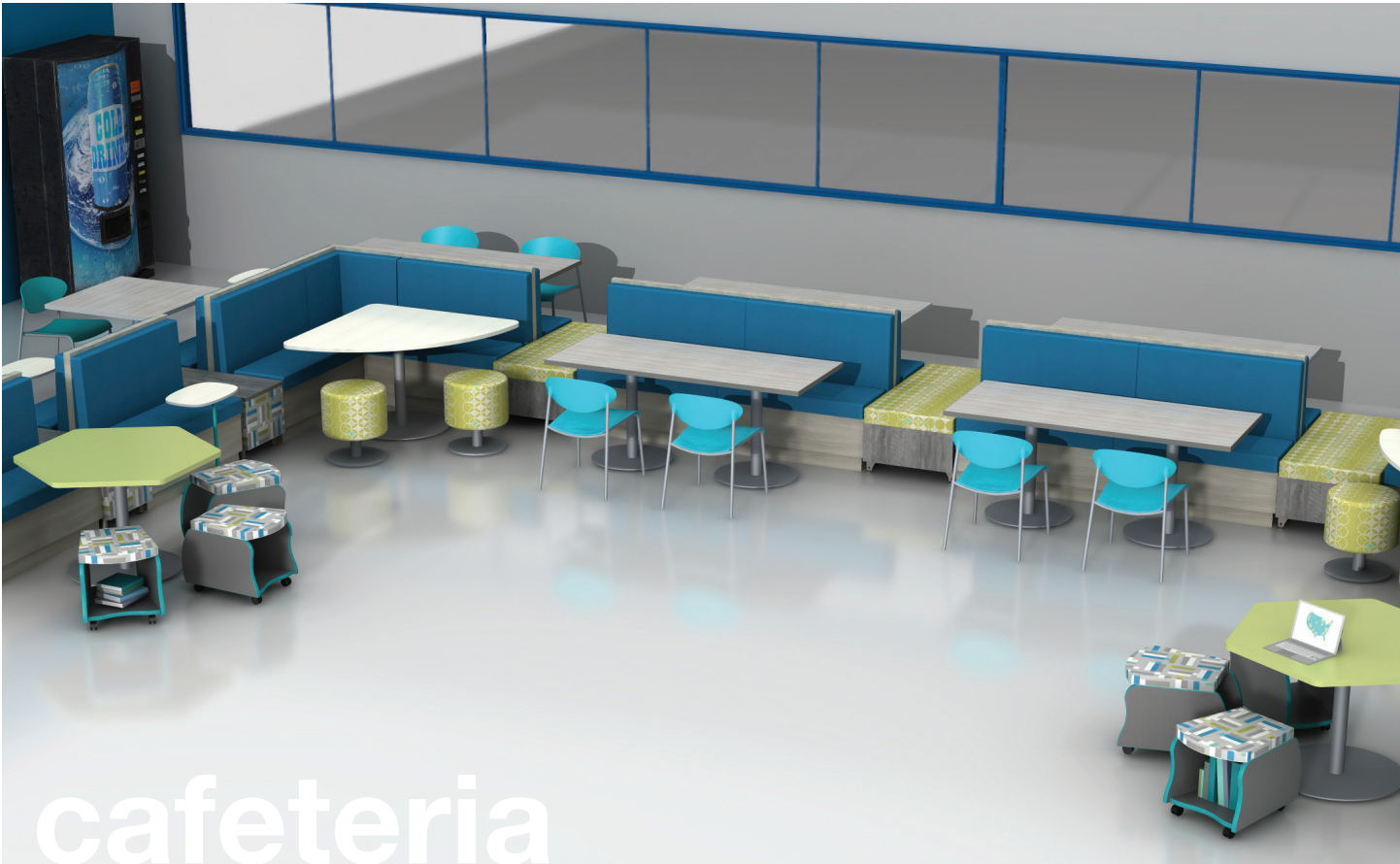




Rojon Seating

classroom • commons • media center





ROJON



RJN-18C
Rojon



RJN-18C-TAR
Rojon Tablet
Arm Rectangle



RJN-18C-TAO
Rojon Tablet
Arm Oval

Rojon Quick Guide

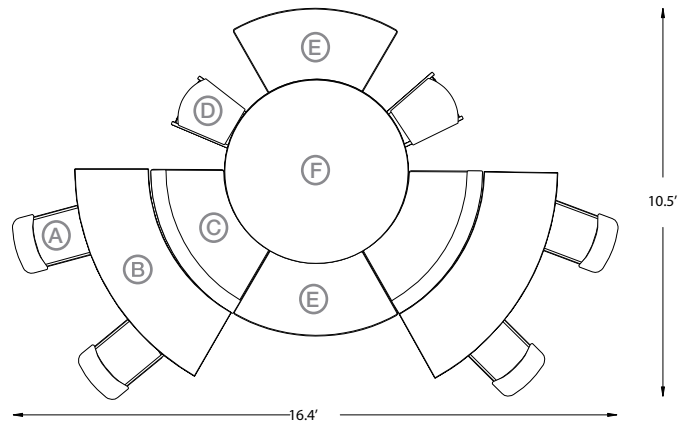
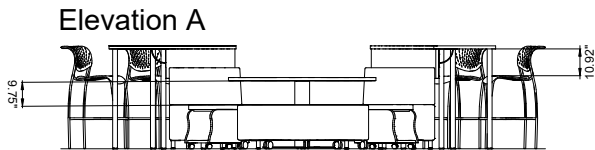
	Rojon
Base Style	
Mobile Storage Base	•
Mobile Storage Base with Tablet Arm	•
Heights	
18" Seat Height	•
29" Overall Height (with Tablet Arm)	•
Features	
Fully Upholstered Seat Cushion	•
Optional Tablet Arm	•
Mobile Storage	•
Worksurface Shapes	
Oval	•
Rectangle	•
Finishes	
Upholstery	•
High Pressure Laminate	•
PVC	•
Powder Coat, if applicable	•

PRODUCT PAIRINGS & KITS

Valour & Full Time Collaboration Kit

- (A) (4) Hannah Stools - HAN006
- (B) (2) Valour Tables - VLR-C2478-60CRV-42
- (C) (2) Full Time Halfbacks - FTCBV2-60
- (D) (2) Rojons - RJN-18C
- (E) (2) Full Time Ottomans - FTC-60
- (F) (1) Orbit Table - O32-C0060-29

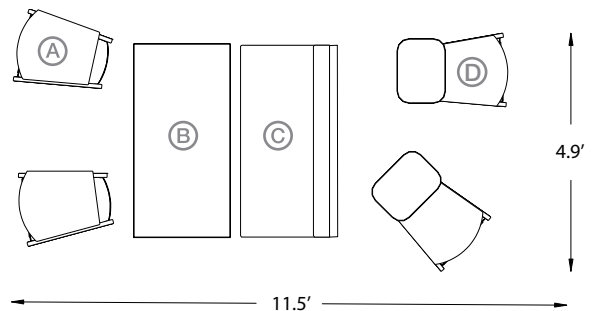
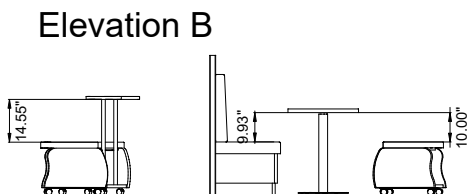
Footprint as shown is:
10.5'D x 16.4'W



Shirley/Rojon Kit

- (A) (2) Rojons - RJN-18C
- (B) (1) Orbit Table - O17-C2460-29
- (C) (1) Shirley Booth - SBS-C2460
- (D) (2) Rojons - RJN-18C-TAR

Footprint as shown is:
11.5'D x 4.9'W



Features & Benefits:



- Mobile personal storage stool.
- Rugged and durable, ideal for school environments.
- Storage area suitable for backpack, purse or messenger bag.
- 1" thick particle board core with high pressure laminate interior and exterior sides. Edges are 3mm PVC.
- 2" thick foam upholstered seat.
- Unit is made mobile by 4 swivel casters.
- Oval Tablet Arm model features a 1" thick, 10.5"D x 14.5"W oval shape tablet surface mounted on a metal support tube.
- Rectangular Tablet Arm model features a 1" thick, 12"D x 16"W rectangular tablet surface, with 3" radiused corners, mounted on a metal support tube.
- Edges are 3mm PVC.

To Order Specify

Fabric Selection: Choose from our selection of grades 1-9 or COM fabrics. See our fabric choices at <https://www.mediatechnologies.com/resources/fabrics>

High Pressure Laminate, if applicable: Choose from our selection of high pressure laminates on our website. View our Finish & Color Guide for Color Match suggestions at <https://www.mediatechnologies.com/resources/downloads/guides>

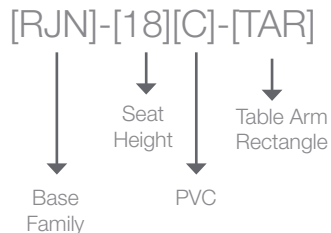
PVC: Choose from our wide selection of PVCs. View our Finish & Color Guide for Color Match suggestions at <https://www.mediatechnologies.com/resources/downloads/guides>

Group I Frame Finishes: 809 Silver, 138 White, 109 Cream, 304 Dove Grey, 208 Putty, 407 Stone, 903 Black Wrinkle, 912 Black

Group II Frame Finishes (up-charge): 808 Nickel, 405 Charcoal, 5003 Navy, MIR Mirrored Chrome, 621 Goldfinch, 622 Parakeet, 613 Blue Heron, 627 Blue Wren, 629 Hummingbird, 618 Purple Martin, 624 Cardinal, 623 Oriole

See **mediatechnologie's** finish choices at <https://www.mediatechnologies.com/resources/finishes>

Model Number Breakdown:



Options



Tablet Arm