

General Specifications

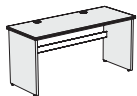
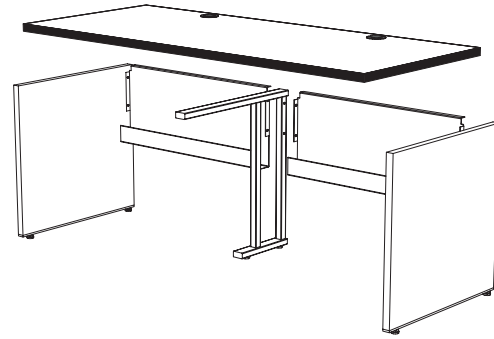
Table Top: Includes (1) cabling grommet per user space. Table tops are 1-1/4" thick, three-ply 45# particleboard construction with .050" high-pressure laminate top surface and a .030" phenolic backer. Corners for rectilinear tops: Square corners on banded tops have a 1/8" radius. Rounded corners on all tops have a 2" radius.

Panel Ends: Wood end panels are 1-3/16" thick particleboard core with select veneer faces, 3mm hardwood side edge bands. The bottom of the panel has an applied 5/16" hardwood strip and threaded steel inserts for leveling.

Steel Intermediate Frames: Differ from end frames only in the length of the bottom member, which is shortened for leg and chair clearance.

Finish: Visit our website for Finish and Color Guide for choices.

Note: A "-3" in the part number = 1 mid frame.
 A "-4" in the part number = 2 mid frames.
 Corner units can be found on the WCT-STEEL price sheet.



Rectangle w/
square corners



Wood Panel
End Frames w/
Intermediate Frame



Wood Panel End Frames w/Squared Corners

Part Number	Item Description	Wt	List Price
3mm PVC Edges			
WCT-C2437P-29	24"D x 37"W x 29"H	70	\$1,183
WCT-C2448P-29	24"D x 48"W x 29"H	74	\$1,240
WCT-C2460P-29	24"D x 60"W x 29"H	88	\$1,351
WCT-C3037P-29	30"D x 37"W x 29"H	82	\$1,239
WCT-C3048P-29	30"D x 48"W x 29"H	98	\$1,285
WCT-C3060P-29	30"D x 60"W x 29"H	115	\$1,405
3mm Wood Edges			
WCT-E2437P-29	24"D x 37"W x 29"H	70	\$1,334
WCT-E2448P-29	24"D x 48"W x 29"H	74	\$1,393
WCT-E2460P-29	24"D x 60"W x 29"H	88	\$1,543
WCT-E3037P-29	30"D x 37"W x 29"H	82	\$1,397
WCT-E3048P-29	30"D x 48"W x 29"H	98	\$1,530
WCT-E3060P-29	30"D x 60"W x 29"H	115	\$1,667

Wood Panel End Frames with Intermediate Frame

Part Number	Item Description	wt	List Price
3mm PVC Edges			
WCT-C2472P-3-29	24"D x 72"W x 29"H	121	\$1,530
WCT-C24107P-4-29	24"D x 107"W x 29"H	147	\$2,055
WCT-C3072P-3-29	30"D x 72"W x 29"H	142	\$1,611
WCT-C30107P-4-29	30"D x 107"W x 29"H	147	\$2,171
3mm Wood Edges			
WCT-E2472P-3-29	24"D x 72"W x 29"H	121	\$1,769
WCT-E24107P-4-29	24"D x 107"W x 29"H	147	\$2,310
WCT-E3072P-3-29	30"D x 72"W x 29"H	142	\$1,856
WCT-E30107P-4-29	30"D x 107"W x 29"H	147	\$2,429

Wood Panel End Frames w/Scalloped Top

Part Number	Item Description	Wt	List Price
3mm PVC Edges			
WCT-C2437SR2P-29	24"D x 37"W x 29"H	70	\$1,235
WCT-C2448SR2P-29	24"D x 48"W x 29"H	74	\$1,293
WCT-C2460SR2P-29	24"D x 60"W x 29"H	88	\$1,404
WCT-C3037SR2P-29	30"D x 37"W x 29"H	82	\$1,292
WCT-C3048SR2P-29	30"D x 48"W x 29"H	98	\$1,337
WCT-C3060SR2P-29	30"D x 60"W x 29"H	115	\$1,457

Wood Panel End Frames w/Squared Corners, Mobile

Part Number	Wt	List Price
3mm PVC Edges		
WCT-C2437P-29-4C	72	\$1,275
WCT-C2448P-29-4C	76	\$1,331
WCT-C2460P-29-4C	90	\$1,442
WCT-C3037P-29-4C	84	\$1,330
WCT-C3048P-29-4C	100	\$1,376
WCT-C3060P-29-4C	117	\$1,496
3mm Wood Edges		
WCT-E2437P-29-4C	72	\$1,426
WCT-E2448P-29-4C	76	\$1,485
WCT-E2460P-29-4C	90	\$1,634
WCT-E3037P-29-4C	84	\$1,488
WCT-E3048P-29-4C	100	\$1,620
WCT-E3060P-29-4C	117	\$1,758

Wood Panel End Frames with Intermediate Frame, Mobile

Part Number	Wt	List Price
3mm PVC Edges		
WCT-C2472P-3-29-6C	124	\$1,667
WCT-C24107P-4-29-8C	151	\$2,236
WCT-C3072P-3-29-6C	145	\$1,748
WCT-C30107P-4-29-8C	151	\$2,354
3mm Wood Edges		
WCT-E2472P-3-29-6C	124	\$1,906
WCT-E24107P-4-29-8C	151	\$2,492
WCT-E3072P-3-29-6C	145	\$1,993
WCT-E30107P-4-29-8C	151	\$2,611

Wood Panel End Frames w/Scalloped Top, Mobile

Part Number	Wt	List Price
3mm PVC Edges		
WCT-C2437SR2P-29-4C	72	\$1,328
WCT-C2448SR2P-29-4C	76	\$1,384
WCT-C2460SR2P-29-4C	90	\$1,494
WCT-C3037SR2P-29-4C	84	\$1,383
WCT-C3048SR2P-29-4C	100	\$1,429
WCT-C3060SR2P-29-4C	117	\$1,549

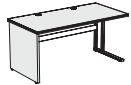
Set Up Charges and Upcharges for Non-Standard and Custom Finishes

Model Number	Description	List Price
Group 2 Powder Coat	Set up charge, per color, per order, for Group 2 Powder Coat	\$329
Non-Standard PVC	Upcharge, per color, per order, for non-standard PVC	\$911
Custom Finish	Upcharge for custom stain finish	\$640
Non-Standard Stain	Upcharge for non-standard stains already matched	\$283
Sprayon Finish	Upcharge, per color, per order, for Sprayon finish	\$329

Required to order: Model # including options if applicable

- HPL selection
- PVC selection
- wood edge finish (if applicable)
- powder coat selection

Note: A “-3” in the part number = 1 mid frame.
 A “-4” in the part number = 2 mid frames.
 Corner units can be found on the WCT-STEEL price sheet.



Wood Panel on Left Only



Wood Panel End Frames with Scalloped Top & Intermediate Frame			
Part Number	Item Description	wt	List Price
3mm PVC Edges			
WCT-C2472SR2P-3-29	24"D x 72"W x 29"H	121	\$1,583
WCT-C3072SR2P-3-29	30"D x 72"W x 29"H	142	\$1,664

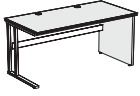
Wood Panel End Frames with Scalloped Top & Intermediate Frame, Mobile		
Part Number	Wt	List Price
3mm PVC Edges		
WCT-C2472SR2P-3-29-6C	124	\$1,719
WCT-C3072SR2P-3-29-6C	145	\$1,800

Wood Panel End on Left Only			
Part Number	Item Description	wt	List Price
3mm PVC Edges			
WCT-C2437-PL-29	24"D x 37"W x 29"H	65	\$1,092
WCT-C2448-PL-29	24"D x 48"W x 29"H	74	\$1,150
WCT-C2460-PL-29	24"D x 60"W x 29"H	88	\$1,258
WCT-C2472-3-PL-29	24"D x 72"W x 29"H	116	\$1,427
WCT-C24107-4-PL-29	24"D x 107"W x 29"H	142	\$1,964
WCT-C3037-PL-29	30"D x 37"W x 29"H	77	\$1,110
WCT-C3048-PL-29	30"D x 48"W x 29"H	93	\$1,195
WCT-C3060-PL-29	30"D x 60"W x 29"H	110	\$1,313
WCT-C3072-3-PL-29	30"D x 72"W x 29"H	137	\$1,520
WCT-C30107-4-PL-29	30"D x 107"W x 29"H	142	\$2,077
3mm Wood Edges			
WCT-E2437-PL-29	24"D x 37"W x 29"H	65	\$1,245
WCT-E2448-PL-29	24"D x 48"W x 29"H	74	\$1,304
WCT-E2460-PL-29	24"D x 60"W x 29"H	88	\$1,453
WCT-E2472-3-PL-29	24"D x 72"W x 29"H	116	\$1,672
WCT-E24107-4-PL-29	24"D x 107"W x 29"H	142	\$2,220
WCT-E3037-PL-29	30"D x 37"W x 29"H	77	\$1,268
WCT-E3048-PL-29	30"D x 48"W x 29"H	93	\$1,438
WCT-E3060-PL-29	30"D x 60"W x 29"H	110	\$1,574
WCT-E3072-3-PL-29	30"D x 72"W x 29"H	137	\$1,764
WCT-E30107-4-PL-29	30"D x 107"W x 29"H	142	\$2,338

Wood Panel End on Left Only		
Part Number	Wt	List Price
3mm PVC Edges		
WCT-C2437-PL-29-4C	67	\$1,183
WCT-C2448-PL-29-4C	76	\$1,242
WCT-C2460-PL-29-4C	90	\$1,350
WCT-C2472-3-PL-29-6C	119	\$1,565
WCT-C24107-4-PL-29-8C	146	\$2,146
WCT-C3037-PL-29-4C	79	\$1,200
WCT-C3048-PL-29-4C	95	\$1,286
WCT-C3060-PL-29-4C	112	\$1,405
WCT-C3072-3-PL-29-6C	140	\$1,657
WCT-C30107-4-PL-29-8C	146	\$2,259
3mm Wood Edges		
WCT-E2437-PL-29-4C	67	\$1,335
WCT-E2448-PL-29-4C	76	\$1,394
WCT-E2460-PL-29-4C	90	\$1,544
WCT-E2472-3-PL-29-6C	119	\$1,809
WCT-E24107-4-PL-29-8C	146	\$2,403
WCT-E3037-PL-29-4C	79	\$1,358
WCT-E3048-PL-29-4C	95	\$1,530
WCT-E3060-PL-29-4C	112	\$1,666
WCT-E3072-3-PL-29-6C	140	\$1,902
WCT-E30107-4-PL-29-8C	146	\$2,520

Wood Panel End on Left Only, Scalloped Top			
Part Number	Item Description	wt	List Price
WCT-C2437SR2-PL-29	24"D x 37"W x 29"H	65	\$1,145
WCT-C2448SR2-PL-29	24"D x 48"W x 29"H	74	\$1,203
WCT-C2460SR2-PL-29	24"D x 60"W x 29"H	88	\$1,311
WCT-C2472SR2-3-PL-29	24"D x 72"W x 29"H	116	\$1,479
WCT-C3037SR2-PL-29	30"D x 37"W x 29"H	77	\$1,163
WCT-C3048SR2-PL-29	30"D x 48"W x 29"H	93	\$1,248
WCT-C3060SR2-PL-29	30"D x 60"W x 29"H	110	\$1,366
WCT-C3072SR2-3-PL-29	30"D x 72"W x 29"H	137	\$1,573

Wood Panel End on Left Only, Scalloped Top		
Part Number	Wt	List Price
WCT-C2437SR2-PL-29-4C	67	\$1,235
WCT-C2448SR2-PL-29-4C	76	\$1,294
WCT-C2460SR2-PL-29-4C	90	\$1,403
WCT-C2472SR2-3-PL-29-6C	119	\$1,617
WCT-C3037SR2-PL-29-4C	79	\$1,253
WCT-C3048SR2-PL-29-4C	95	\$1,338
WCT-C3060SR2-PL-29-4C	112	\$1,457
WCT-C3072SR2-3-PL-29-6C	140	\$1,710



Wood Panel on Right Only



Wood Panel End on Right Only			
Part Number	Item Description	wt	List Price
3mm PVC Edges			
WCT-C2437-PR-29	24"D x 37"W x 29"H	65	\$1,092
WCT-C2448-PR-29	24"D x 48"W x 29"H	74	\$1,150
WCT-C2460-PR-29	24"D x 60"W x 29"H	88	\$1,258
WCT-C2472-3-PR-29	24"D x 72"W x 29"H	116	\$1,427
WCT-C24107-4-PR-29	24"D x 107"W x 29"H	142	\$1,964
WCT-C3037-PR-29	30"D x 37"W x 29"H	77	\$1,110
WCT-C3048-PR-29	30"D x 48"W x 29"H	93	\$1,195
WCT-C3060-PR-29	30"D x 60"W x 29"H	110	\$1,313
WCT-C3072-3-PR-29	30"D x 72"W x 29"H	137	\$1,520
WCT-C30107-4-PR-29	30"D x 107"W x 29"H	142	\$2,077
3mm Wood Edges			
WCT-E2437-PR-29	24"D x 37"W x 29"H	65	\$1,245
WCT-E2448-PR-29	24"D x 48"W x 29"H	74	\$1,304
WCT-E2460-PR-29	24"D x 60"W x 29"H	88	\$1,453
WCT-E2472-3-PR-29	24"D x 72"W x 29"H	116	\$1,672
WCT-E24107-4-PR-29	24"D x 107"W x 29"H	142	\$2,220
WCT-E3037-PR-29	30"D x 37"W x 29"H	77	\$1,268
WCT-E3048-PR-29	30"D x 48"W x 29"H	93	\$1,438
WCT-E3060-PR-29	30"D x 60"W x 29"H	110	\$1,574
WCT-E3072-3-PR-29	30"D x 72"W x 29"H	137	\$1,764
WCT-E30107-4-PR-29	30"D x 107"W x 29"H	142	\$2,338

Wood Panel End on Right Only		
Part Number	Wt	List Price
3mm PVC Edges		
WCT-C2437-PR-29-4C	67	\$1,183
WCT-C2448-PR-29-4C	76	\$1,242
WCT-C2460-PR-29-4C	90	\$1,350
WCT-C2472-3-PR-29-6C	119	\$1,565
WCT-C24107-4-PR-29-8C	146	\$2,146
WCT-C3037-PR-29-4C	79	\$1,200
WCT-C3048-PR-29-4C	95	\$1,286
WCT-C3060-PR-29-4C	112	\$1,405
WCT-C3072-3-PR-29-6C	140	\$1,657
WCT-C30107-4-PR-29-8C	146	\$2,259
3mm Wood Edges		
WCT-E2437-PR-29-4C	67	\$1,335
WCT-E2448-PR-29-4C	76	\$1,394
WCT-E2460-PR-29-4C	90	\$1,544
WCT-E2472-3-PR-29-6C	119	\$1,809
WCT-E24107-4-PR-29-8C	146	\$2,403
WCT-E3037-PR-29-4C	79	\$1,358
WCT-E3048-PR-29-4C	95	\$1,530
WCT-E3060-PR-29-4C	112	\$1,666
WCT-E3072-3-PR-29-6C	140	\$1,902
WCT-E30107-4-PR-29-8C	146	\$2,520

Wood Panel End on Right Only, Scalloped Top			
Part Number	Item Description	wt	List Price
WCT-C2437SR2-PR-29	24"D x 37"W x 29"H	65	\$1,145
WCT-C2448SR2-PR-29	24"D x 48"W x 29"H	74	\$1,203
WCT-C2460SR2-PR-29	24"D x 60"W x 29"H	88	\$1,311
WCT-C2472SR2-3-PR-29	24"D x 72"W x 29"H	116	\$1,479
WCT-C3037SR2-PR-29	30"D x 37"W x 29"H	77	\$1,163
WCT-C3048SR2-PR-29	30"D x 48"W x 29"H	93	\$1,248
WCT-C3060SR2-PR-29	30"D x 60"W x 29"H	110	\$1,366
WCT-C3072SR2-3-PR-29	30"D x 72"W x 29"H	137	\$1,573

Wood Panel End on Right Only, Scalloped Top		
Part Number	Wt	List Price
WCT-C2437SR2-PR-29-4C	67	\$1,235
WCT-C2448SR2-PR-29-4C	76	\$1,294
WCT-C2460SR2-PR-29-4C	90	\$1,403
WCT-C2472SR2-3-PR-29-6C	119	\$1,617
WCT-C3037SR2-PR-29-4C	79	\$1,253
WCT-C3048SR2-PR-29-4C	95	\$1,338
WCT-C3060SR2-PR-29-4C	112	\$1,457
WCT-C3072SR2-3-PR-29-6C	140	\$1,710

Set Up Charges and Upcharges for Non-Standard and Custom Finishes		
Model Number	Description	List Price
Group 2 Powder Coat	Set up charge, per color, per order, for Group 2 Powder Coat	\$329
Non-Standard PVC	Upcharge, per color, per order, for non-standard PVC	\$911
Custom Finish	Upcharge for custom stain finish	\$640
Non-Standard Stain	Upcharge for non-standard stains already matched	\$283
Sprayon Finish	Upcharge, per color, per order, for Sprayon finish	\$329

Required to order: Model # including options if applicable

- HPL selection
- PVC selection
- wood edge finish (if applicable)
- powder coat selection