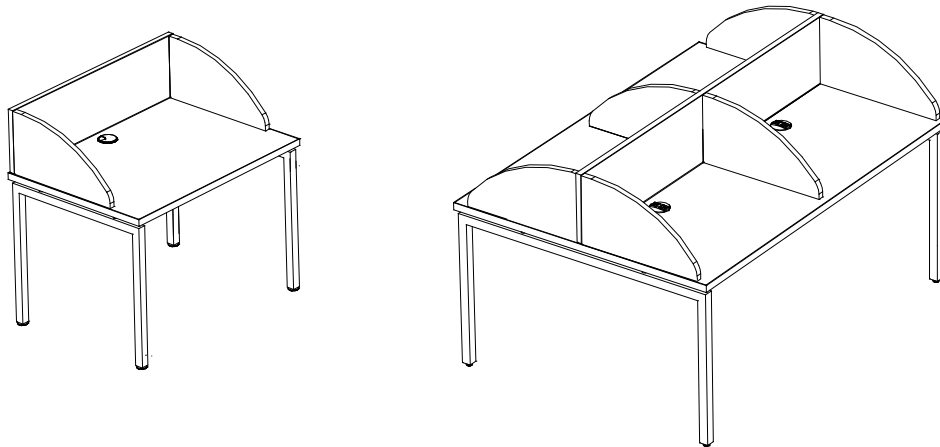
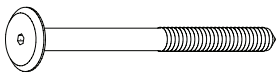


# GTX Carrel Tables

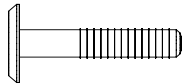
Tables & Desks



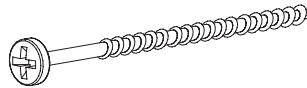
## Hardware Included:



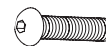
1/4-20 x 80 mm Bolt



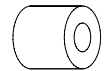
1/4-20 x 50 mm Bolt



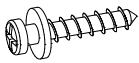
#8 x 2" Pan Head Screw



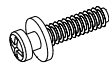
1/4-20 x 3/4" Button Head Bolt



3/4" spacers



Male Mod-eez Shoulder Screw  
(single sided units only)



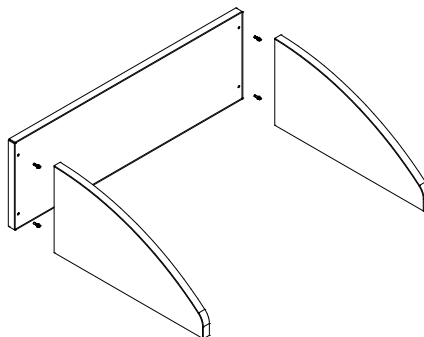
Male Mod-eez Shoulder Screw  
(double sided units only)



Female Mod-eez Connector Bolt  
(double sided units only)

## Tools Required:

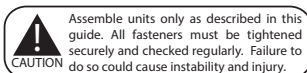
- 5/32" Allen Wrench



## Step 1.1:

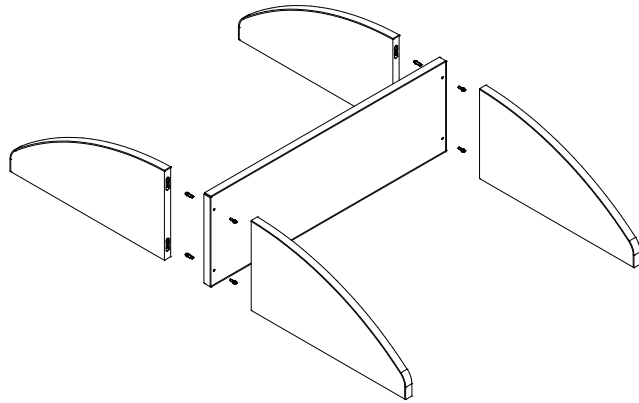
Place arched panel (with pre-installed Mod-eez clip) onto the male Mod-eez shoulder screw in the center divider panel, as shown above. Using mallet, tap down to secure in place. Repeat for all arched dividers.

instructions-gtx-carrel-240110



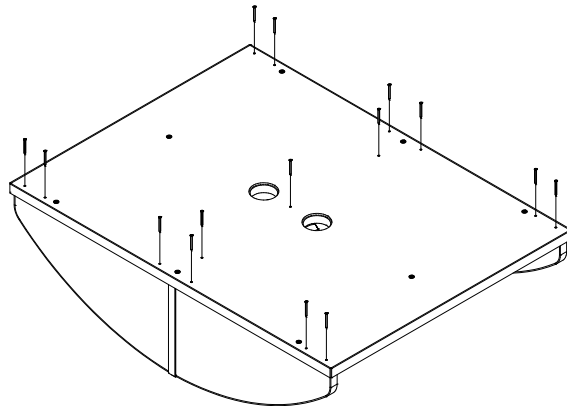
# GTX Carrel Tables

---



## Step 1.2 (for double sided units only):

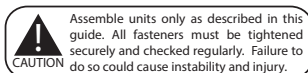
Mod-eez shoulder screw for double sided units have both male and female parts. One on each side of the center divider panel. Insert female Mod-eez connector bolt into pre-drilled holes in center divider panel. Then insert male Mod-eez shoulder screws into both sides of female connector bolts. Place arched panel (with pre-installed Mod-eez clip) onto the male Mod-eez screw in the center divider panel, as shown above. Using a mallet, tap down to secure in place. Repeat for all arched dividers.



## Step 2:

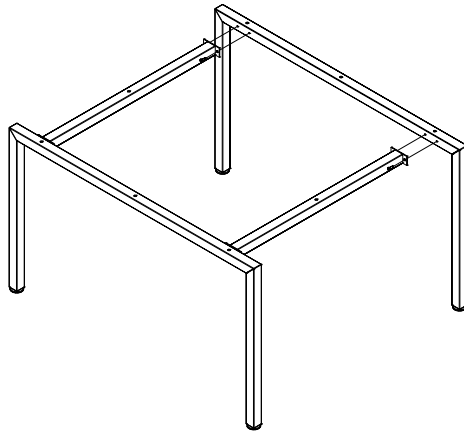
Screw #8 x 2" screws through work surface and into the bottom of divider panels to secure all divider panels to work surface.

instructions-gtx-carrel-240110



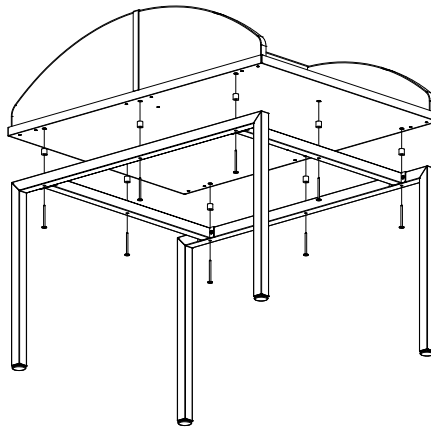
# GTX Carrel Tables

---



### Step 3:

Assemble leg frame to spanner by aligning hole in tab plate on end of the spanner with the threaded holes in leg frame as shown. Secure with  $\frac{1}{4}$ -20 x  $\frac{3}{4}$ " BH Bolt.



### Step 4:

Attach base frame assembly to top of the table. Align holes in base frame assembly with inserts in underside of table top and place the  $\frac{3}{4}$ " spacers in between. Attach base through spacers with  $\frac{1}{4}$ -20 x 80mm Bolts. Install levelers, if applicable.

Verify all bolts/screws are tightened.

---

instructions-gtx-carrel-240110

