

COLUMN WRAPS

Tables

General Specifications

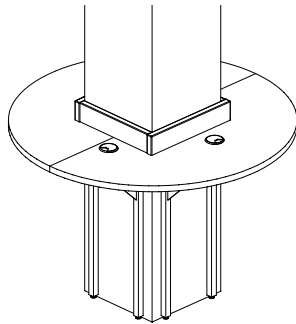
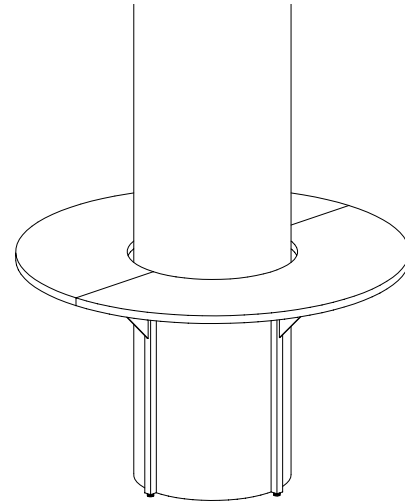
Tops for Round Column: Top surface is 1-1/4" thick. Top of work surface is .050 high-pressure laminate with .030 phenolic backer. Work surface is mounted to a powder coated steel leg frame which is fixed to the column. Edgebanding is 3mm PVC. Tops are going to be held back 1" all the way around the column but will be banded with PVC.

Tops for Square Column: Top surface is 1-1/4" thick. Top of work surface is .050 high-pressure laminate with .030 phenolic backer. Work surface is mounted to a powder coated steel leg frame which is fixed to the column. Edgebanding is 3mm PVC. Tops will have 4" tall backsplash around the column with optional grommets for cable management.

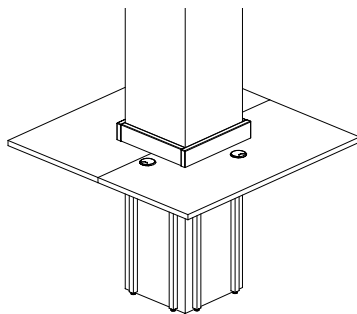
Metal Leg Frames: Steel post leg is a 16 GA 1" square tube style leg weldment with a 2-1/8" x 13" steel mounting plate and a 1-1/8" black leveling glide. Customer specifies powder coat color. Hole in steel tube provided for attachment to the column. Leg frames attach to the top using supplied #12 x 1" PH screws.

Column Wrap Tables Standard Heights: 29", 36" and 39" configurations.

Please contact your mediatechnologies sales representative for a column wrap consultation.



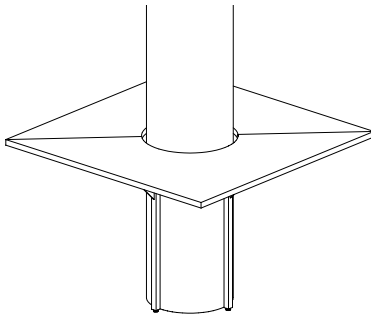
Column Wrap Table, 18" Square Column				
MODEL NUMBER	DESCRIPTION	WGT	LIST PRICE	
CWT-C0054-29-18SC	54" DIA/18" Square column,(4) cantilevered steel legs with leveling glides, 29"H	130	\$2,602	
CWT-C0060-29-18SC	60" DIA/18" Square column,(4) cantilevered steel legs with leveling glides, 29"H	138	\$2,707	
CWT-C0066-29-18SC	66" DIA/18" Square column,(4) cantilevered steel legs with leveling glides, 29"H	149	\$2,864	
CWT-C0072-29-18SC	72" DIA/18" Square column,(4) cantilevered steel legs with leveling glides, 29"H	170	\$3,043	
CWT-C0054-36-18SC	54" DIA/18" Square column,(4) cantilevered steel legs with leveling glides, 36"H	130	\$2,654	
CWT-C0060-36-18SC	60" DIA/18" Square column,(4) cantilevered steel legs with leveling glides, 36"H	138	\$2,780	
CWT-C0066-36-18SC	66" DIA/18" Square column,(4) cantilevered steel legs with leveling glides, 36"H	149	\$2,916	
CWT-C0072-36-18SC	72" DIA/18" Square column,(4) cantilevered steel legs with leveling glides, 36"H	170	\$3,095	
CWT-C0054-42-18SC	54" DIA/18" Square column,(4) cantilevered steel legs with leveling glides, 42"H	130	\$2,654	
CWT-C0060-42-18SC	60" DIA/18" Square column,(4) cantilevered steel legs with leveling glides, 42"H	138	\$2,780	
CWT-C0066-42-18SC	66" DIA/18" Square column,(4) cantilevered steel legs with leveling glides, 42"H	149	\$2,916	
CWT-C0072-42-18SC	72" DIA/18" Square column,(4) cantilevered steel legs with leveling glides, 42"H	170	\$3,095	



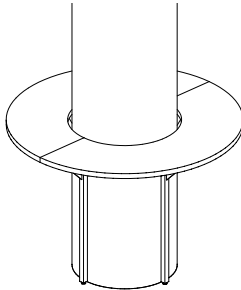
Column Wrap Table, 24" Square Column				
MODEL NUMBER	DESCRIPTION	WGT	List Price	
CWT-C0054-29-24SC	54" DIA/24" Square column,(8) cantilevered steel legs with leveling glides, 29"H	130	\$2,602	
CWT-C0060-29-24SC	60" DIA/24" Square column,(8) cantilevered steel legs with leveling glides, 29"H	138	\$2,707	
CWT-C0066-29-24SC	66" DIA/24" Square column,(8) cantilevered steel legs with leveling glides, 29"H	149	\$2,864	
CWT-C0072-29-24SC	72" DIA/24" Square column,(8) cantilevered steel legs with leveling glides, 29"H	170	\$3,043	
CWT-C0054-36-24SC	54" DIA/24" Square column,(8) cantilevered steel legs with leveling glides, 36"H	130	\$2,654	
CWT-C0060-36-24SC	60" DIA/24" Square column,(8) cantilevered steel legs with leveling glides, 36"H	138	\$2,780	
CWT-C0066-36-24SC	66" DIA/24" Square column,(8) cantilevered steel legs with leveling glides, 36"H	149	\$2,916	
CWT-C0072-36-24SC	72" DIA/24" Square column,(8) cantilevered steel legs with leveling glides, 36"H	170	\$3,095	
CWT-C0054-42-24SC	54" DIA/24" Square column,(8) cantilevered steel legs with leveling glides, 42"H	130	\$2,654	
CWT-C0060-42-24SC	60" DIA/24" Square column,(8) cantilevered steel legs with leveling glides, 42"H	138	\$2,780	
CWT-C0066-42-24SC	66" DIA/24" Square column,(8) cantilevered steel legs with leveling glides, 42"H	149	\$2,916	
CWT-C0072-42-24SC	72" DIA/24" Square column,(8) cantilevered steel legs with leveling glides, 42"H	170	\$3,095	

COLUMN WRAPS

Tables



Column Wrap Table, 18" Round Column			
MODEL NUMBER	DESCRIPTION	WGT	List Price
CWT-C0054-29-18C	54" DIA/18" Round column,(4) cantilevered steel legs with leveling glides, 29"H	130	\$2,602
CWT-C0060-29-18C	60" DIA/18" Round column,(4) cantilevered steel legs with leveling glides, 29"H	138	\$2,707
CWT-C0066-29-18C	66" DIA/18" Round column,(4) cantilevered steel legs with leveling glides, 29"H	149	\$2,864
CWT-C0072-29-18C	72" DIA/18" Round column,(4) cantilevered steel legs with leveling glides, 29"H	170	\$3,043
CWT-C0054-36-18C	54" DIA/18" Round column,(4) cantilevered steel legs with leveling glides, 36"H	130	\$2,654
CWT-C0060-36-18C	60" DIA/18" Round column,(4) cantilevered steel legs with leveling glides, 36"H	138	\$2,780
CWT-C0066-36-18C	66" DIA/18" Round column,(4) cantilevered steel legs with leveling glides, 36"H	149	\$2,916
CWT-C0072-36-18C	72" DIA/18" Round column,(4) cantilevered steel legs with leveling glides, 36"H	170	\$3,095
CWT-C0054-42-18C	54" DIA/18" Round column,(4) cantilevered steel legs with leveling glides, 42"H	130	\$2,654
CWT-C0060-42-18C	60" DIA/18" Round column,(4) cantilevered steel legs with leveling glides, 42"H	138	\$2,780
CWT-C0066-42-18C	66" DIA/18" Round column,(4) cantilevered steel legs with leveling glides, 42"H	149	\$2,916
CWT-C0072-42-18C	72" DIA/18" Round column,(4) cantilevered steel legs with leveling glides, 42"H	170	\$3,095



Column Wrap Table, 24" Round Column			
MODEL NUMBER	DESCRIPTION	WGT	List Price
CWT-C0054-29-24C	54" DIA/24" Round column,(8) cantilevered steel legs with leveling glides, 29"H	130	\$2,602
CWT-C0060-29-24C	60" DIA/24" Round column,(8) cantilevered steel legs with leveling glides, 29"H	138	\$2,707
CWT-C0066-29-24C	66" DIA/24" Round column,(8) cantilevered steel legs with leveling glides, 29"H	149	\$2,864
CWT-C0072-29-24C	72" DIA/24" Round column,(8) cantilevered steel legs with leveling glides, 29"H	170	\$3,043
CWT-C0054-36-24C	54" DIA/24" Round column,(8) cantilevered steel legs with leveling glides, 36"H	130	\$2,654
CWT-C0060-36-24C	60" DIA/24" Round column,(8) cantilevered steel legs with leveling glides, 36"H	138	\$2,780
CWT-C0066-36-24C	66" DIA/24" Round column,(8) cantilevered steel legs with leveling glides, 36"H	149	\$2,916
CWT-C0072-36-24C	72" DIA/24" Round column,(8) cantilevered steel legs with leveling glides, 36"H	170	\$3,095
CWT-C0054-42-24C	54" DIA/24" Round column,(8) cantilevered steel legs with leveling glides, 42"H	130	\$2,654
CWT-C0060-42-24C	60" DIA/24" Round column,(8) cantilevered steel legs with leveling glides, 42"H	138	\$2,780
CWT-C0066-42-24C	66" DIA/24" Round column,(8) cantilevered steel legs with leveling glides, 42"H	149	\$2,916
CWT-C0072-42-24C	72" DIA/24" Round column,(8) cantilevered steel legs with leveling glides, 42"H	170	\$3,095

Set Up Charges and Upcharges for Non-Standard and Custom Finishes		
Model Number	Description	List Price
Group 2 Powder Coat	Set up charge, per color, per order, for Group 2 Powder Coat	\$329
Non-Standard PVC	Upcharge, per color, per order, for non-standard PVC	\$911

Required to order: Model # including:

- HPL selection
- PVC edgeband
- Powder coat color (Porter adjustable height table bases are available in a limited number of powder coat color options. Contact factory for details.)