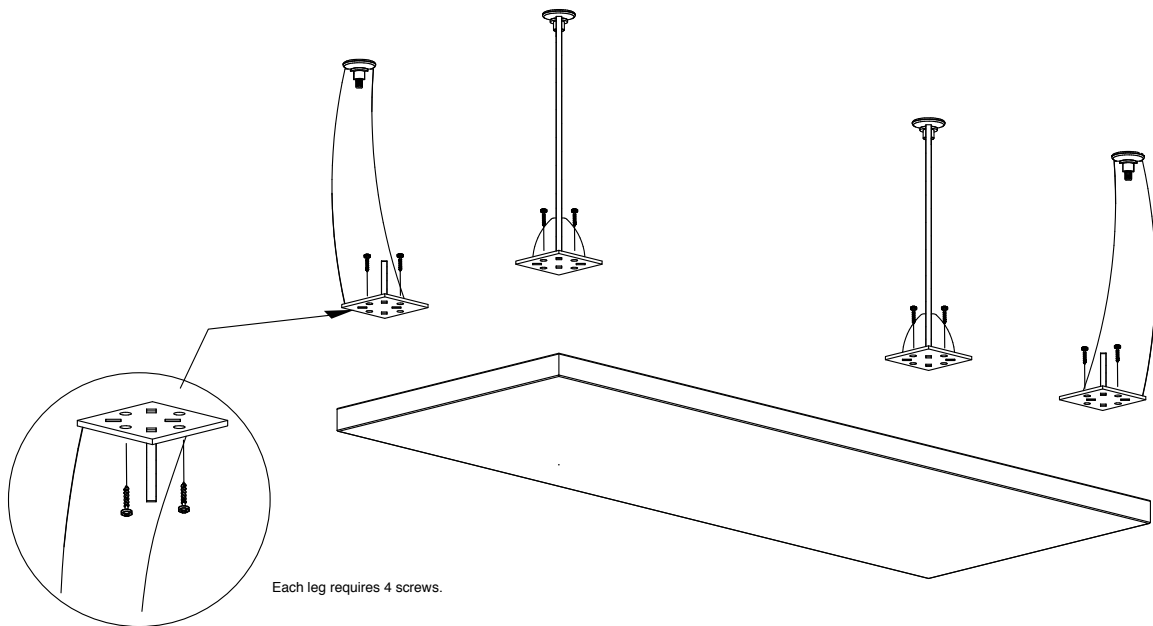
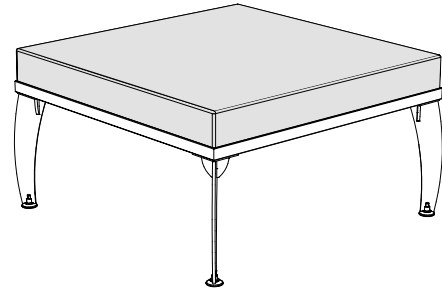
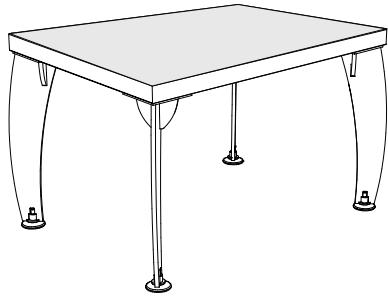
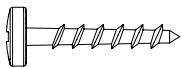


# Timetable & Halftime Bench

Occasional tables & Benches



## Hardware Included:



#12 x 1" screws

## Tools Required:

- Phillips Screwdriver

## Step 1:

Place the table top or bench seat upside down on a clean, padded surface.

## Step 2:

Align one leg at a time on underside of top and attach using #12 x 1" PH Screws (do not over tighten).

instructions-timetable-halftime-230213

