



Timmy

classroom • office • esports





esports

TIMMY

Desk Units



Timmy Convex Bow
TDB-_-C2448-29
TDB-_-C2460-29
TDB-_-C2472-29
TDB-_-C3048-29
TDB-_-C3060-29
TDB-_-C3072-29
24"/30"D x 48"/60"/72"W x 29"H



Timmy Rectangular
TDR-_-C2448-29
TDR-_-C2460-29
TDR-_-C2472-29
TDR-_-C3048-29
TDR-_-C3060-29
TDR-_-C3072-29
24"/30"D x 48"/60"/72"W x 29"H



Timmy Convex Bow Conference
TDBC-_-C2448-29
TDBC-_-C2460-29
TDBC-_-C2472-29
TDBC-_-C3048-29
TDBC-_-C3060-29
TDBC-_-C3072-29
24"/30"D x 48"/60"/72"W x 29"H



Timmy Rectangular Conference
TDRC-_-C2448-29
TDRC-_-C2460-29
TDRC-_-C2472-29
TDRC-_-C3048-29
TDRC-_-C3060-29
TDRC-_-C3072-29
24"/30"D x 48"/60"/72"W x 29"H

Desk Return Units



Return Right
TDRR-_-C2036-29
TDRR-_-C2042-29
TDRR-_-C20448-29
20"D x 36"/42"/48"W x 29"H



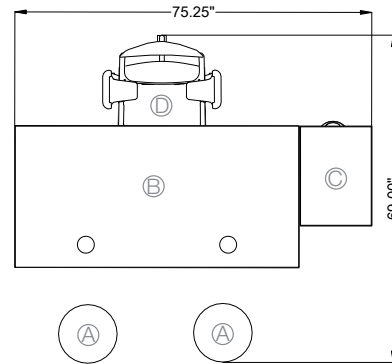
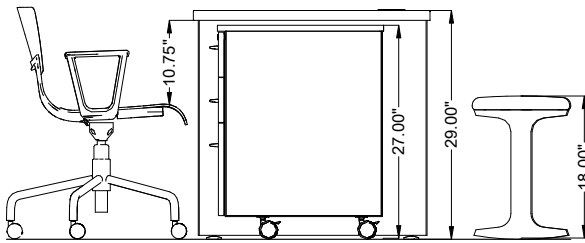
Return Left
TDLR-_-C2036-29
TDLR-_-C2042-29
TDLR-_-C2048-29
20"D x 36"/42"/48"W x 29"H

PRODUCT PAIRINGS & KITS

Timmy/Dotti Kit

- Ⓐ (2) Dotti – Dotti-18
- Ⓑ (1) Timmy Rectangle – TDR-L-C3060
- Ⓒ (1) Mobile Storage Pedestal – WMPS661220-W-LL
- Ⓓ (1) Arc Task Chair – ARC-N55F43P

Kit Footprint as Shown:
5'9"D x 6'3.25"W



Timmy Quick Guide

	Timmy
Worksurface Shapes	
Rectangular	•
Convex Bow	•
Height	
29"H	•
Materials	
High Pressure Laminate	•
Thermally Fused Laminate	•
PVC	•
Features	
Grommets	•
Full Length Modesty Panel	•

Features & Benefits:



- Rectangular or Convex bowed work surface is high pressure laminate with 3mm PVC edges
- Desk base available in thermally fused laminate and high pressure laminate
- Full-length modesty panel. Recessed modesty panel creates Conference Top option.
- Left or right return options available to extend work area
- Each panel is equipped with (2) adjustable glides
- (2) 80mm grommets come included
- Power and connectivity available, see our Connect brochure for available options.
Note: Sparky, Port & Jolt are designed to fit in existing 80mm grommet holes.

To Order Specify

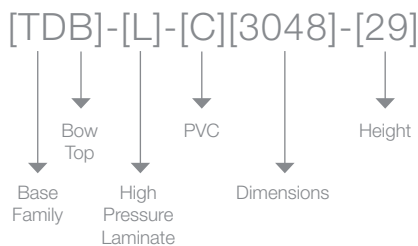
High Pressure Laminate: Choose from our selection of high pressure laminates on our website. View our Finish & Color Guide for Color Match suggestions at <https://www.mediatechnologies.com/resources/downloads/guides>

Thermally Fused Laminate: Choose from our selection of thermally fused laminates on our website. View our Finish & Color Guide for Color Match suggestions at <https://www.mediatechnologies.com/resources/downloads/guides>

PVC: Choose from our selection of PVC edgebanding.

See mediatechnologie's finish choices at <https://www.mediatechnologies.com/resources/finishes>

Model Number Breakdown:

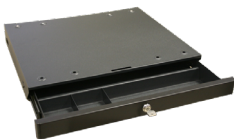


Features

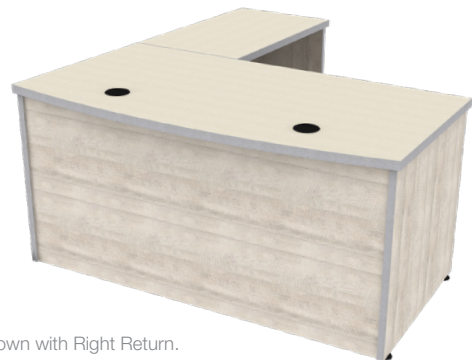


(2) 80mm Wire Grommet Come Standard

Options



Pencil Drawer
MCD1817



*Shown with Right Return.