

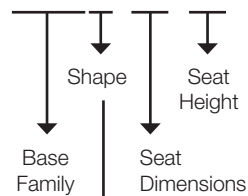
## General Specifications:

**Fabric:** Fully upholstered cover with single needle top stitching on all seams. Base is 3/4" thick plywood with non-marring plastic floor glides.

**Interior:** Interior is high density 2.3/60 or 2.8/60 foam core based on design needs.

## Model Number Breakdown:

JMBC-17-15



C - Cylinder  
Q - Cube  
H - Hexagon  
P - Pac-Man  
PK - Pick  
W - Wedge  
HG - Hourglass  
WV - Wave  
A - Arc

## LEED + Product Warranty

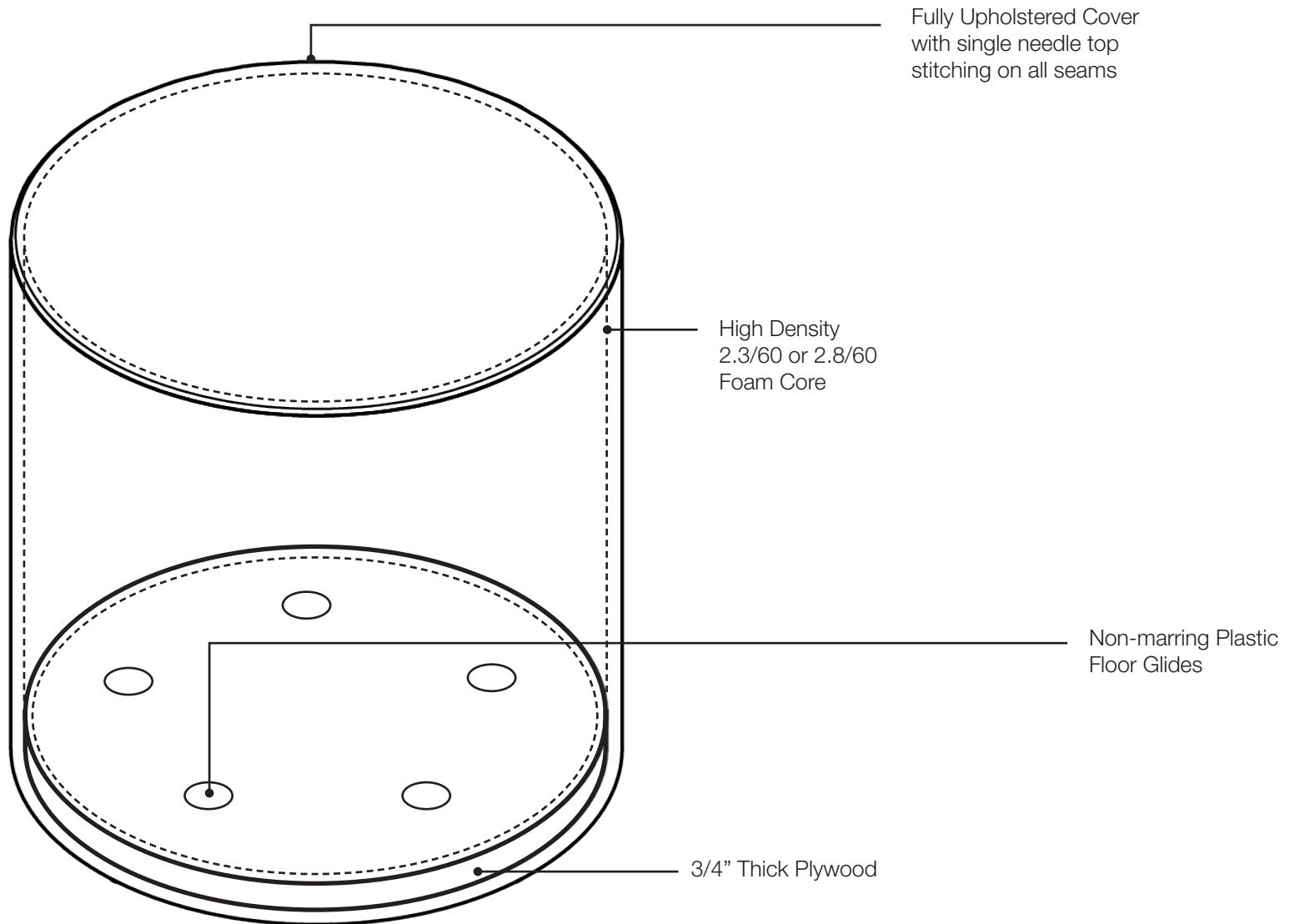
**MR Credit 3.1 & 3.2 Materials Reuse (2 Points total)** – mediatechnologies® offers a 5 year Warranty on our furniture however, we anticipate that our furniture will have a service life of at least 20 years and encourage reusing it for expansions and remodeling projects.

**MR Credit 4.1 & 4.2 Recycled Content (2 Point total)** – We use recycled materials in the production of our furniture. This material consists of reground laminate and is used as a high grade backer material for our tables and work surfaces thereby reducing impacts resulting from extraction and processing of virgin material.

**Warranty**– All standard products manufactured by Mediatechnologies LLC, unless otherwise covered by a product specific guarantee and or warranty, are guaranteed against defective material and workmanship for a period of five (5) years from the date of purchase. Fabrics are warrantied for period of one (1) year. Mediatechnologies LLC does not warranty any product or hardware which has been installed incorrectly, exposed to high humidity, moisture and extreme temperatures for long periods, excessive loads, misuse, abuse or was not manufactured by Mediatechnologies LLC. We will repair or replace, at our discretion, any defective item without cost to our customer. This is customer's sole and exclusive remedy against us. No delay in shipment or delivery shall give rise to any liability for damages whatsoever. We are not liable for defects caused by customer or any third party. Customer is not authorized to make any repairs whatsoever or to deduct any amount from the purchase price.

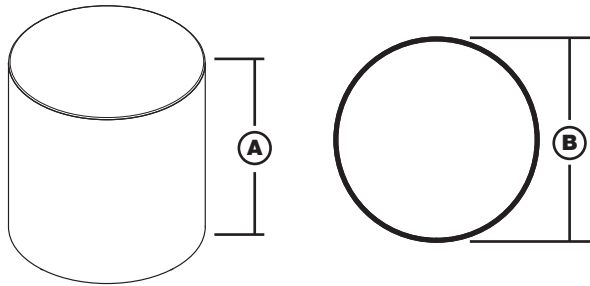
In no event shall our liability under this warranty exceed the purchase price. In no event shall we be liable for incidental, special or consequential damages. We disclaim all other warranties, express or implied, as to any matter whatsoever, including without limitation, quality, design, performance, specifications, samples, condition, merchantability and fitness for any particular purpose. No action may be commenced for breach of this warranty more than six months after the cause of action accrues and any such action may only be brought in the county of Oceana, State of Michigan.

Jumbles Construction



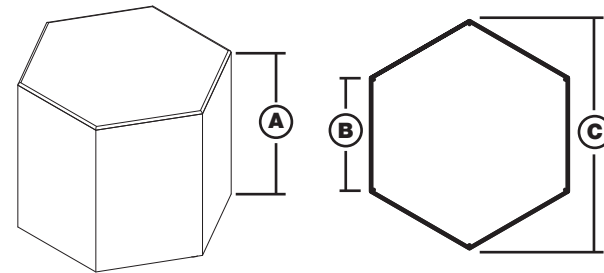
# mediaTECH SPECS®

## JUMBLES SEATING



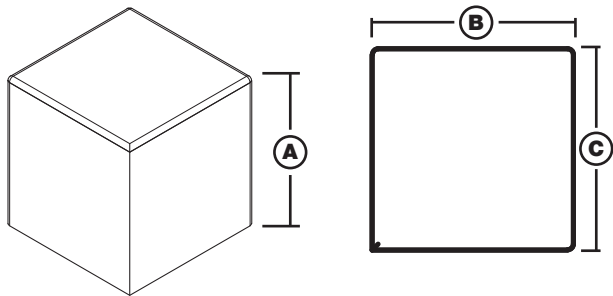
Jumbles - Cylinder		
Model Number	A	B
JMBC-17-15	15"	17"
JMBC-17-18	18"	17"

- Ⓐ - Height
- Ⓑ - Diameter



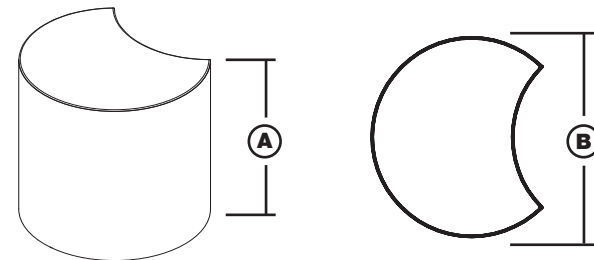
Jumbles - Hexagon			
Model Number	A	B	C
JMBH-19-15	15"	10"	19"
JMBH-19-18	18"	10"	19"

- Ⓐ - Height
- Ⓑ - Side Width
- Ⓒ - Depth



Jumbles - Cube			
Model Number	A	B	C
JMBQ-17-15	15"	17"	17"
JMBQ-17-18	18"	17"	17"

- Ⓐ - Height
- Ⓑ - Width
- Ⓒ - Depth

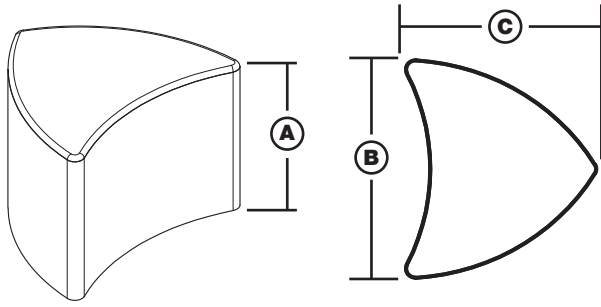


Jumbles - Pac-Man		
Model Number	A	B
JMBP-17-15	15"	17"
JMBP-17-18	18"	17"

- Ⓐ - Height
- Ⓑ - Diameter

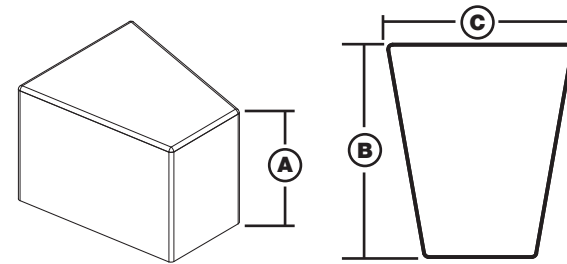
# mediaTECH SPECS®

## JUMBLES SEATING



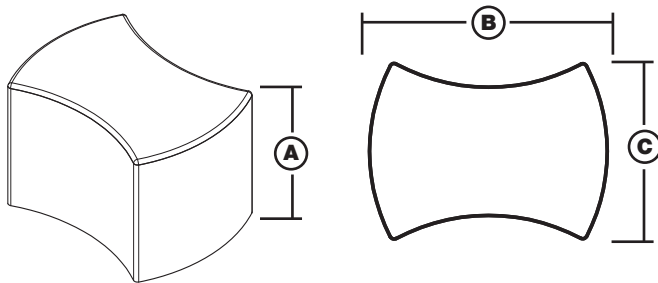
Jumbles - Pick			
Model Number	A	B	C
JMBPK-24-15	15"	24"	20"
JMBPK-24-18	18"	24"	20"

- A** - Height
- B** - Depth
- C** - Width



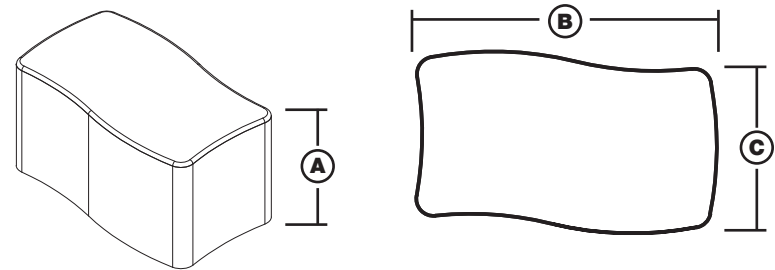
Jumbles - Wedge			
Model Number	A	B	C
JMBW-2421-15	15"	24"	21"
JMBW-2421-18	18"	24"	21"

- A** - Height
- B** - Depth
- C** - Width



Jumbles - Hourglass			
Model Number	A	B	C
JMBHG-2821-15	15"	28"	21"
JMBHG-2821-18	18"	28"	21"

- A** - Height
- B** - Width
- C** - Depth

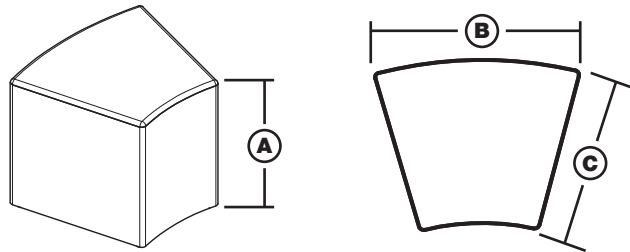


Jumbles - Wave			
Model Number	A	B	C
JMBWV-3519-15	15"	35"	19"
JMBWV-3519-18	18"	35"	19"
JMBWV-4424-15	15"	44"	24"
JMBWV-4424-18	18"	44"	24"

- A** - Height
- B** - Width
- C** - Depth

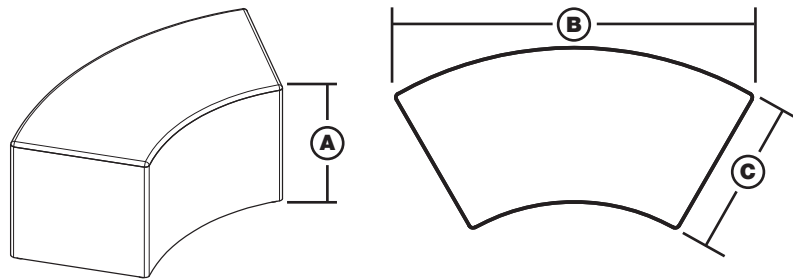
# mediaTECH SPECS®

## JUMBLES SEATING



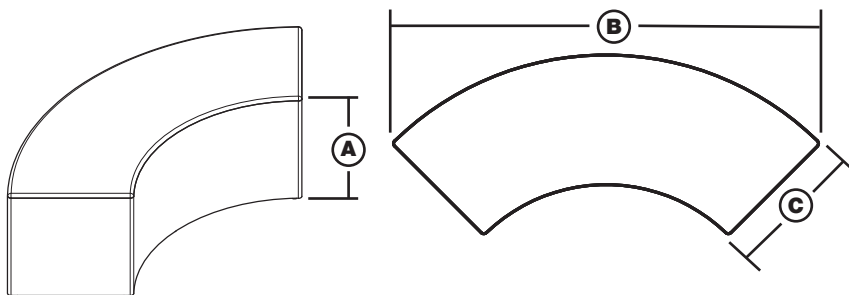
Jumbles - Arc - 30° Curve			
Model Number	A	B	C
JMBA-30-2218-15	15"	22"	18"
JMBHG-2821-18	18"	22"	18"

- A** - Height
- B** - Width
- C** - Depth



Jumbles - Arc - 60° Curve			
Model Number	A	B	C
JMBA-60-4218-15	15"	42"	18"
JMBA-60-4218-18	18"	42"	18"

- A** - Height
- B** - Width
- C** - Depth



Jumbles - Arc - 90° Curve			
Model Number	A	B	C
JMBA-90-5918-15	15"	59"	18"
JMBA-90-5918-18	18"	59"	18"

- A** - Height
- B** - Width
- C** - Depth