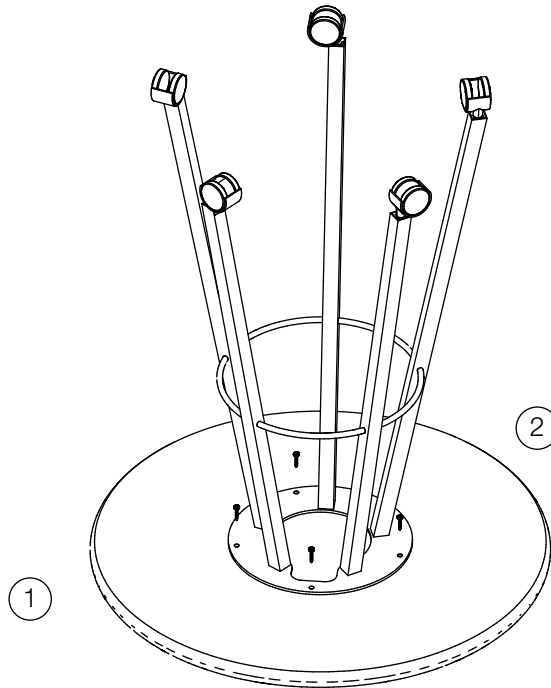
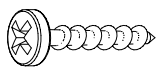


# Pedique

Tables



## Hardware Included:



#12 x 1  
Pan Head Screw

## Tools Required:

- #3 Phillips Head Screwdriver

## Step 1:

Place the table top upside down on a clean, padded surface.

## Step 2:

Center leg assembly on underside of top and attach using #12 x 1" PH Screws (do not over tighten).

instructions-pedique-191210

